

A

# METROPOLIS

*experience luxury redefined*

---



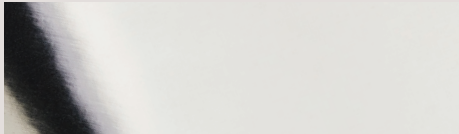
AMERICAN LEATHER

## METROPOLIS

### features and options

- High leg options boast metal base details
- Low leg options boast plinth base details
- Advanced unidirectional suspension system for superior support and durability
- Available with premium high-density, high-resiliency foam seat cushions
- Features loose back and seat cushions
- Choose from an array of premium fabrics and leathers plus contrast stitch detail in 10+ colors
- The Manhattan style offers contrast micro-welt with any cover at no charge
- Decorative stitch options available for Copenhagen and London styles
- Custom built to order by world-class artisans in the US
- Limited lifetime warranty on frame and suspension

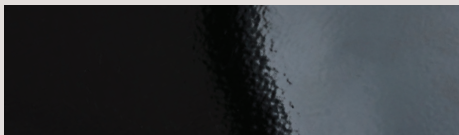
### handcrafted finishes



POLISHED NICKEL

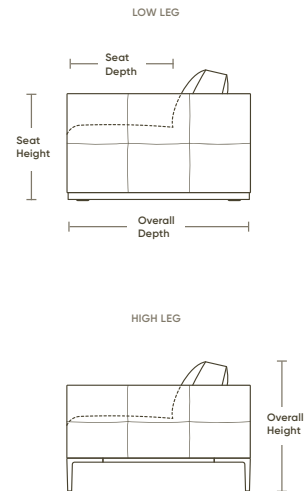


GLOSS BRONZE



GLOSS BLACK

## SPECS



#### SEAT DEPTH

23"

#### SEAT HEIGHT

17"

#### OVERALL HEIGHT

29"

#### OVERALL DEPTH

41"



Scan to view  
the Metropolis  
collection

## EXPERIENCE LUXURY REDEFINED

Enjoy timeless luxury with our expertly crafted Metropolis collection. Fully customizable and available in four different styles, these sofas feature eye-catching decorative stitch details and metal leg finishes for a distinctly polished look.

---

### BARCELONA

HIGH LEG



Height 29" | Depth 41" | Seat Depth 23"  
Width Varies by Configuration

LOW LEG



Height 29" | Depth 41" | Seat Depth 23"  
Width Varies by Configuration

### LONDON

HIGH LEG



Height 29" | Depth 41" | Seat Depth 23"  
Width Varies by Configuration

LOW LEG



Height 29" | Depth 41" | Seat Depth 23"  
Width Varies by Configuration

### COPENHAGEN



Height 29" | Depth 41" | Seat Depth 23"  
Width Varies by Configuration

### MANHATTAN



Height 29" | Depth 41" | Seat Depth 23"  
Width Varies by Configuration

# MODERN LIFE WELL FURNISHED

---

Built on a rich culture of innovative craftsmanship, American Leather brings you impeccably-constructed, customizable modern pieces made in America. From the revolutionary Comfort Air™ to the world-renowned Comfort Sleeper®, American Leather is built for the people by the people.



PART #198740

SHOP METROPOLIS COLLECTION AT [AMERICANLEATHER.COM](http://AMERICANLEATHER.COM)

**AMERICAN LEATHER**

05.2024

**BARCELONA**  
*shown in ellis cypress*