

AMERICAN LEATHER® CLASSICS COLLECTION

Standard Features:

Advanced unidirectional suspension system
Premium high-density, high-resiliency foam seats

Double-needle top stitching

Loose back & seat cushions

Options

:

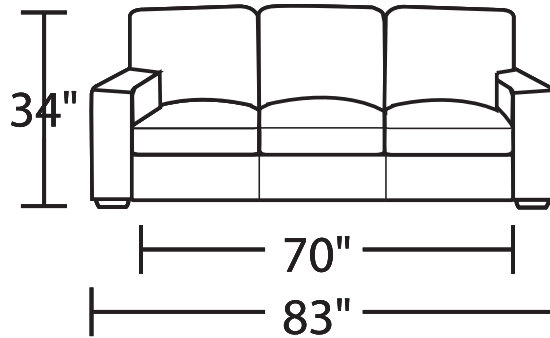
Wood legs available in Acorn, Espresso or Walnut finish

Premium high-density, high-resiliency foam encased in down seats

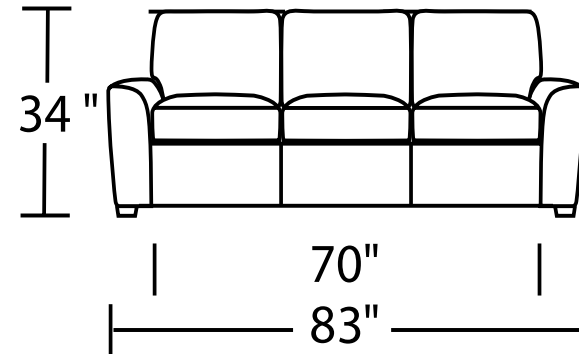
Extra firm premium high-density, high-resiliency foam encased in down seats

Extra firm premium high-density, high-resiliency foam seats

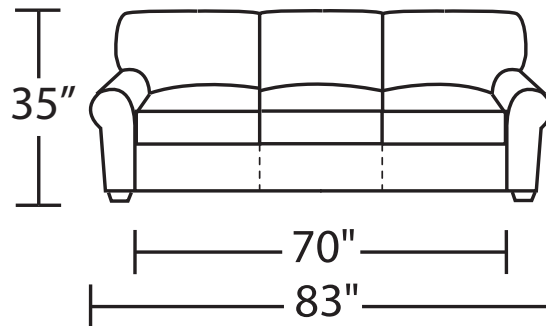
CSN-SO3-ST



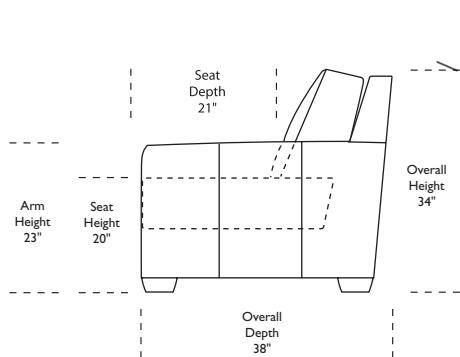
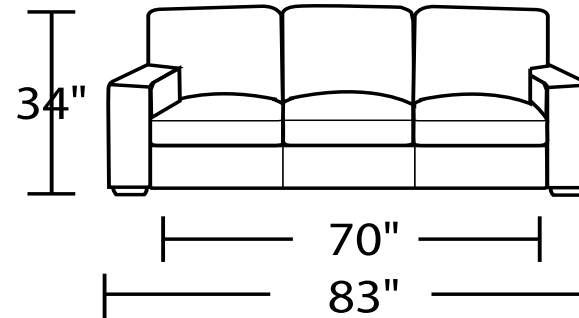
KAD-SO3-ST



SVY-SO3-ST



LIS-SO3-ST



*Note: arm height for this frame is measured at the highest point of the arm.

**AMERICAN
LEATHER®**

Scale: 1/8 inch = 1 foot
All dimensions are approximate and subject to change.
Specify components from the sitting position.

V.09.10.16