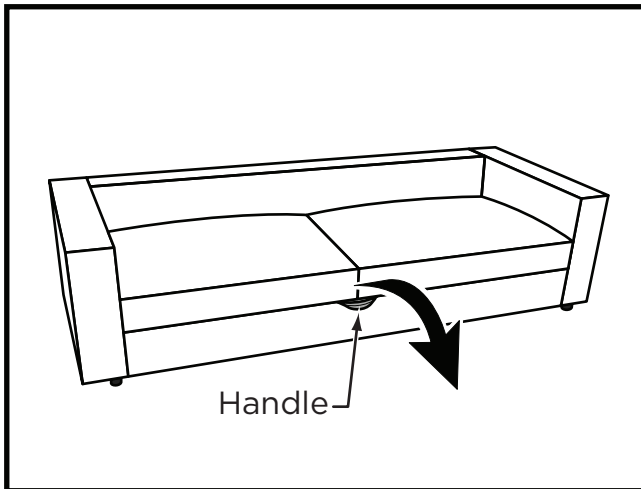


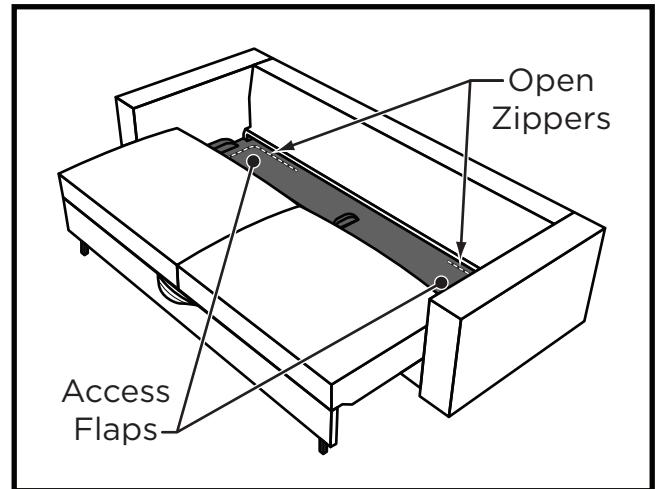
AMERICAN LEATHER®

All Day Sleeper *Arm Removal Instructions*

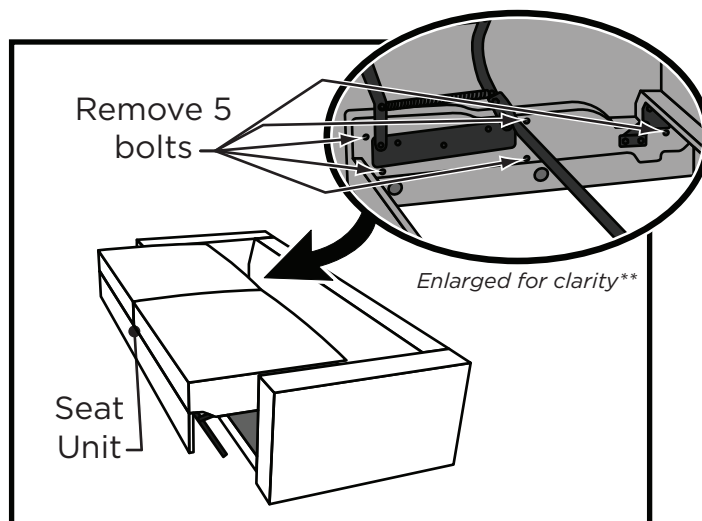
*****WARNING: This operation requires two people to complete or there is risk of serious injury*****



1. Open sleeper by pulling up on the handle and walking backwards at the same time.



2. With the sleeper open, locate the zippers and unzip them completely to open the access flaps to access the arm bolts.



3. Have a second person hold the seat unit up slightly above the arms. Remove the five bolts (see Figure 1 for enlarged view) securing the arm to the body of the sofa using a 1/2" socket. Repeat for opposite arm. Move sofa to desired location and reverse instructions for arm reinstallation.

****Note:** Enlarged view omits certain materials for a clearer view of required steps.