

COMFORT SLEEPER® COLLECTION | SILVER

PAIGE



**AMERICAN
LEATHER®**

COMFORT SLEEPER BY AMERICAN LEATHER® SILVER

PAIGE

Standard Features:

- Premium high-density, high-resiliency foam
- Loose back and seat cushions
- Fall away back becomes mattress section
- Zero wall clearance
- Single needle top-stitch
- Lifetime warranty on frame
- Limited five-year warranty on mechanism
- Quick-ship delivery

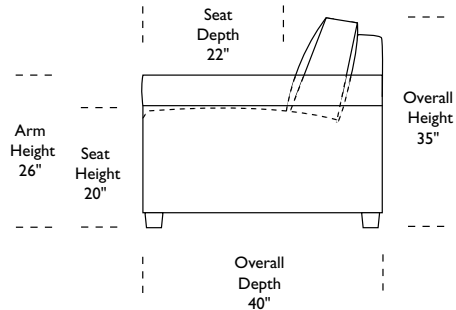
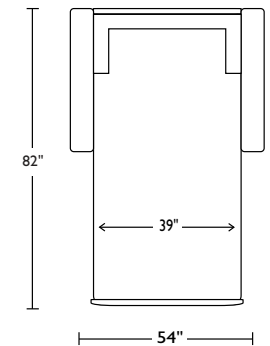
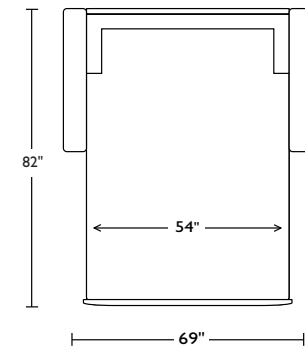
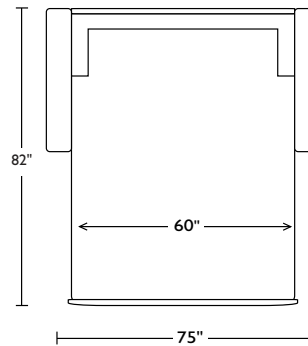
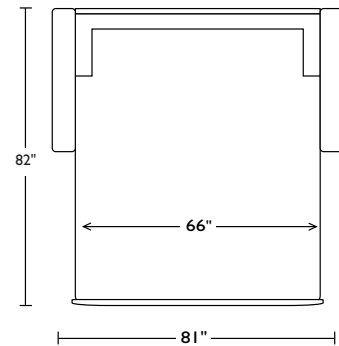
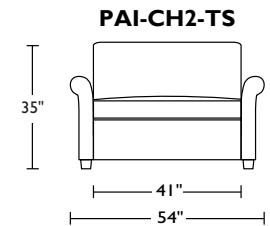
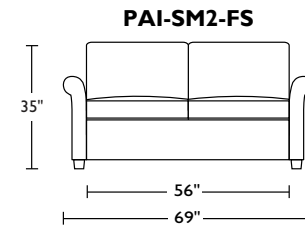
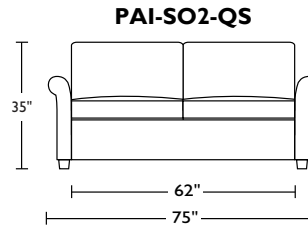
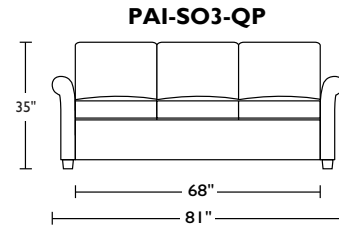
Options:

- Wood legs in Acorn, Espresso or Walnut finish

Mattress Options:

- Four inches of high-density, high-resiliency foam
- Four inches of plush, high-density foam with a cooling gel topper

Please use actual leather, fabric, Crypton®, Sunbrella® and Ultrasuede® swatches when specifying furniture as the colors shown may vary due to the printing process.



Scale: 1/4 inch = 1 foot
All dimensions are approximate and subject to change.
Specify components from the sitting position.
U.S. patents #6904628 & 8011034

V04.30.19

COMFORT SLEEPER® COLLECTION | SILVER

PALMER



**AMERICAN
LEATHER®**

COMFORT SLEEPER BY AMERICAN LEATHER® SILVER

PALMER

Standard Features:

- Premium high-density, high-resiliency foam
- Loose back and seat cushions
- Fall away back becomes mattress section
- Zero wall clearance
- Single needle top-stitch
- Lifetime warranty on frame
- Limited five-year warranty on mechanism
- Quick-ship delivery

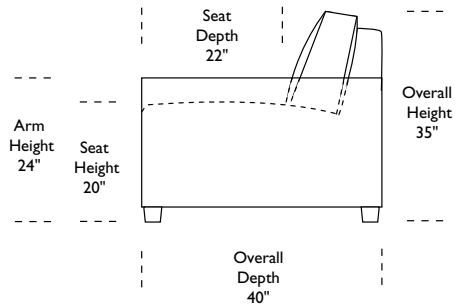
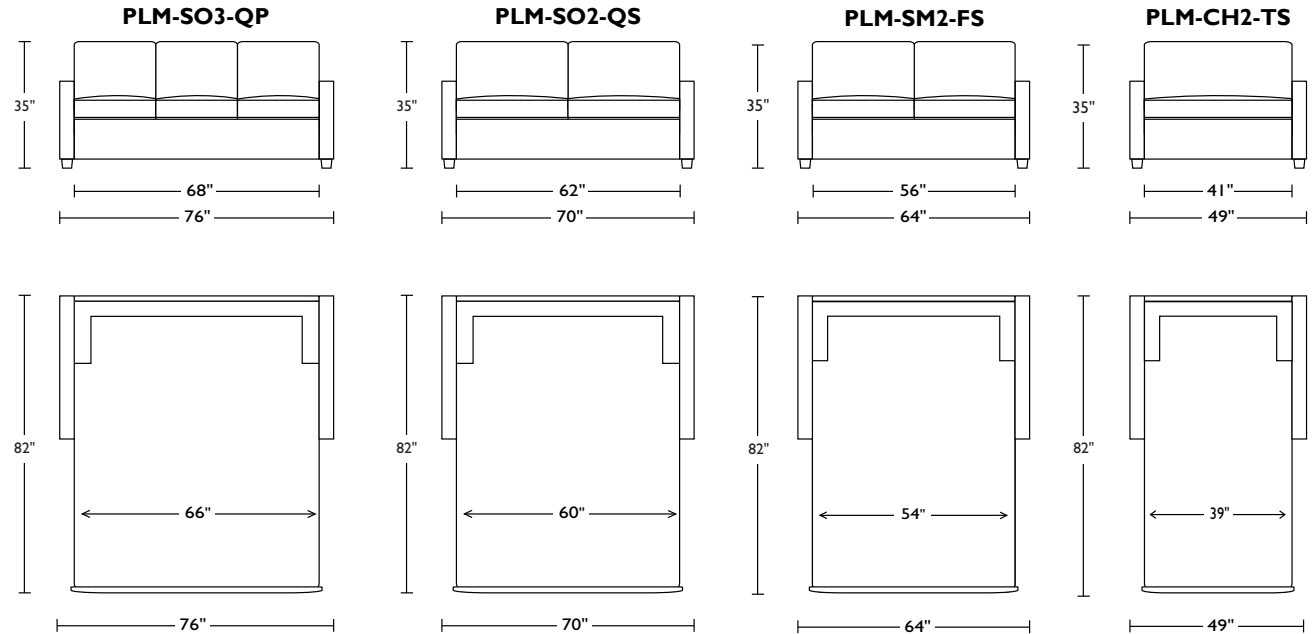
Options:

- Wood legs in Acorn, Espresso or Walnut finish

Mattress Options:

- Four inches of high-density, high-resiliency foam
- Four inches of plush, high-density foam with a cooling gel topper

Please use actual leather, fabric, Crypton®, Sunbrella® and Ultrasuede® swatches when specifying furniture as the colors shown may vary due to the printing process.



Scale: 1/4 inch = 1 foot
 All dimensions are approximate and subject to change.
 Specify components from the sitting position.
 U.S. patents #6904628 & 8011034

V04.30.19

COMFORT SLEEPER® COLLECTION | SILVER

PORTER



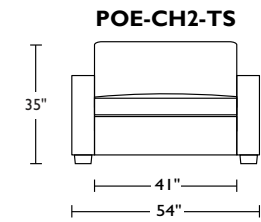
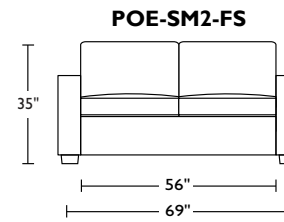
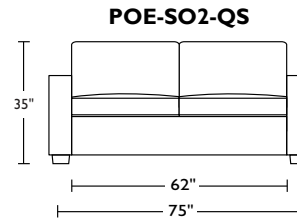
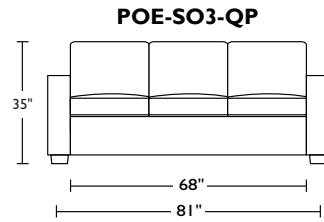
**AMERICAN
LEATHER®**

COMFORT SLEEPER BY AMERICAN LEATHER®
SILVER

PORTER

Standard Features:

- Premium high-density, high-resiliency foam
- Loose back and seat cushions
- Fall away back becomes mattress section
- Zero wall clearance
- Single needle top-stitch
- Lifetime warranty on frame
- Limited five-year warranty on mechanism
- Quick-ship delivery

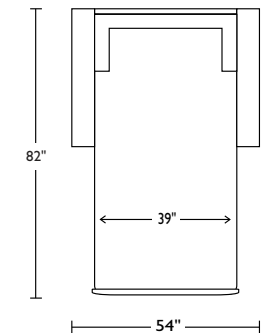
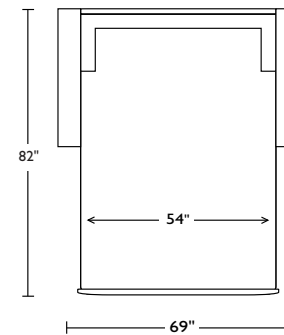
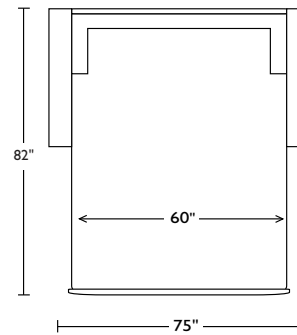
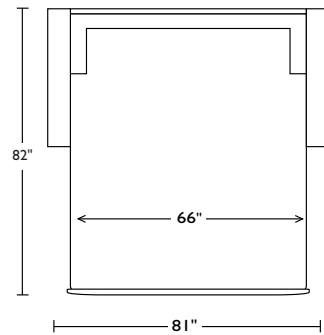


Options:

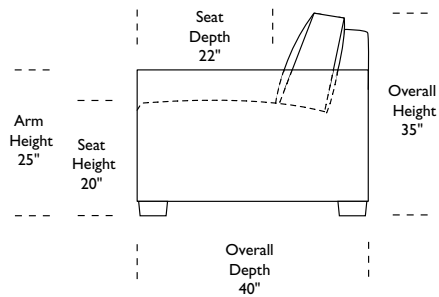
- Wood legs in Acorn, Espresso or Walnut finish

Mattress Options:

- Four inches of high-density, high-resiliency foam
- Four inches of plush, high-density foam with a cooling gel topper



Please use actual leather, fabric, Crypton®, Sunbrella® and Ultrasuede® swatches when specifying furniture as the colors shown may vary due to the printing process.



Scale: 1/4 inch = 1 foot
All dimensions are approximate and subject to change.
Specify components from the sitting position.
U.S. patents #6904628 & 8011034

V04.30.19