

# AMERICAN LEATHER PRODUCT CATALOG

---

**STYLE IN MOTION®**

**AMERICAN**  
LEATHER®

# STYLE IN MOTION<sup>®</sup> A-SERIES

---

## AUSTIN (MOTION)



**AMERICAN**  
LEATHER<sup>®</sup>

**Standard Features:**

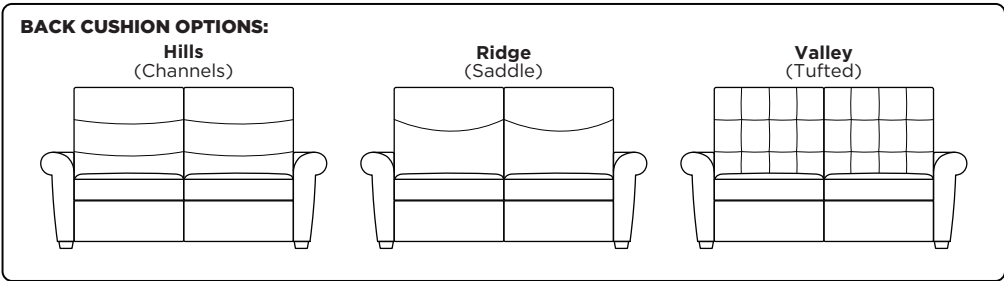
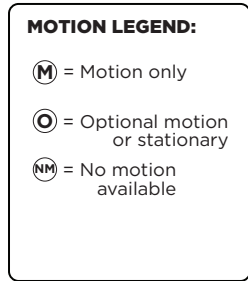
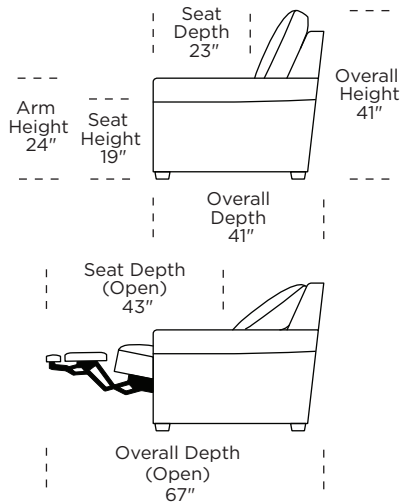
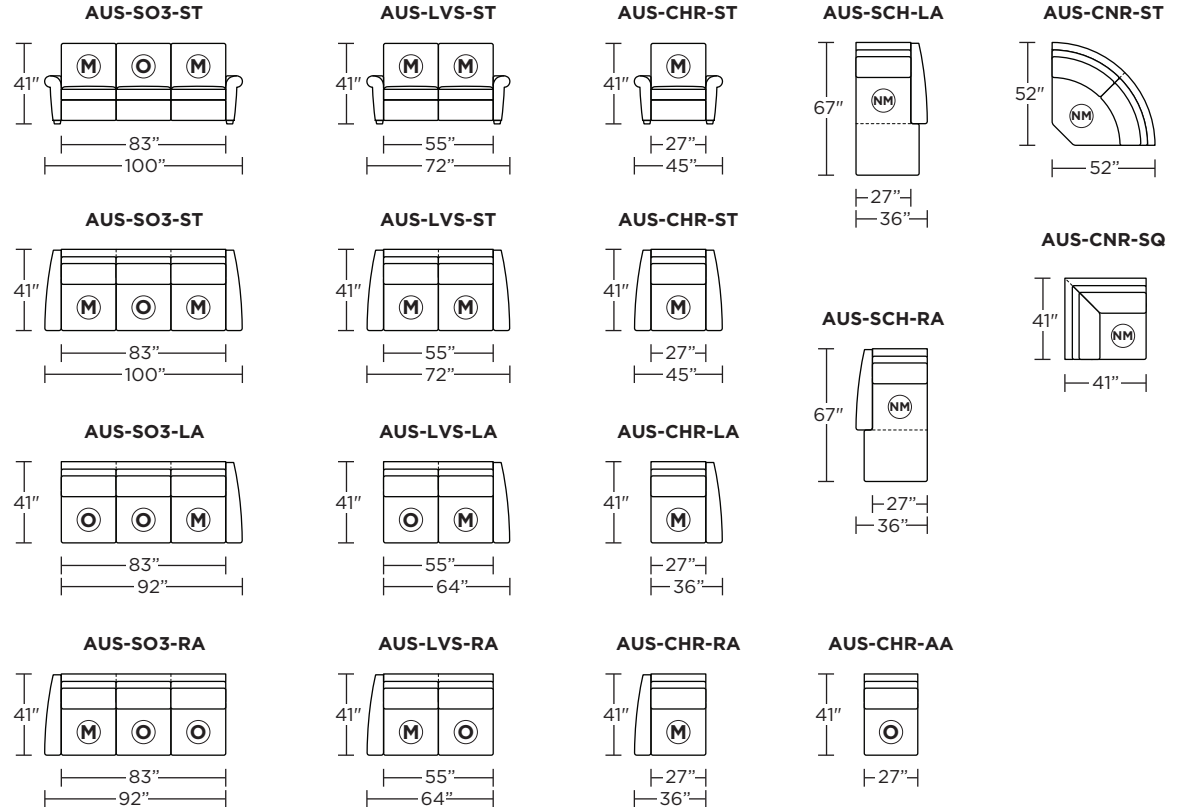
- Advanced unidirectional suspension system
- Premium high-density, high-resiliency foam seat cushions
- Single-needle top-stitch
- In-arm control panel includes 2-amp USB charging port
- Stationary armless seats
- Lifetime warranty on frame and suspension
- Five-year warranty on mechanism
- Three-year warranty on motor
- Quick-ship delivery

**Options:**

- Premium high-density, high-resiliency foam seat cushions encased in down
- Back cushion options: **Hills** (channels), **Ridge** (saddle) or **Valley** (tufted)
- Contrasting stitch detail available in Black, Brown, Charcoal, Cream, Espresso, Grey, Lemon, Pink, Royal, Scarlet, Tangerine, or Teal thread color
- Option of motion in armless seats
- Lithium-ion battery pack available
- Battery pack has one-year warranty
- Wood legs available in Acorn, Espresso or Walnut finish

Please use actual leather, fabric, Crypton®, Sunbrella® and Ultrasuede® swatches when specifying furniture as the colors shown may vary due to the printing process.

**Note:** Microfiber fabrics such as SUEDELIFE and VEELIFE not suggested for this style. Please contact American Leather® Support Services for a complete list of recommended fabrics.



**Note:** Dotted line indicates seam on leather, Ultrasuede® and up the roll fabrics. Seams are eliminated with railroaded fabrics.

Scale: 1/8 inch = 1 foot  
All dimensions are approximate and subject to change.  
Specify components from the sitting position.

V.10.09.20

# STYLE IN MOTION<sup>®</sup> A-SERIES

---

## AUSTIN (SLEEPER)



**AMERICAN**  
LEATHER<sup>®</sup>

**AUSTIN**

**Standard Features:**

- Featuring the patented Tiffany 24/7™ platform sleep system
- Room to stretch out with true 80 inches of bedroom-length sleeping surface
- Ultimate comfort on five inches of plush, high-density foam mattress
- Under-sofa dust covers keeps dust and dirt from ever touching the mattress
- Zero wall clearance
- Single-needle top-stitch
- Premium high-density, high-resiliency foam seat cushions
- Loose back and seat cushions
- Lifetime warranty on frame
- Ten-year warranty on mechanism
- Quick-ship delivery

**Mattress Options:**

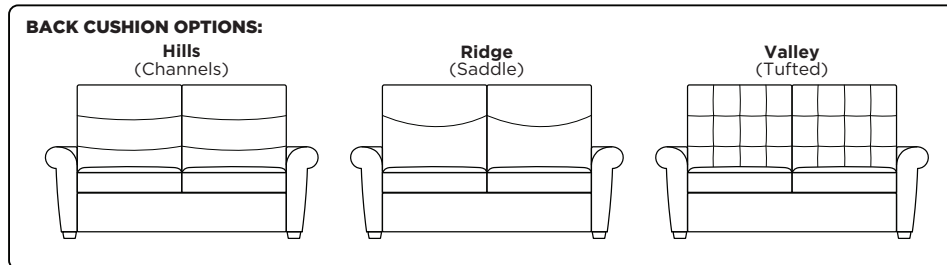
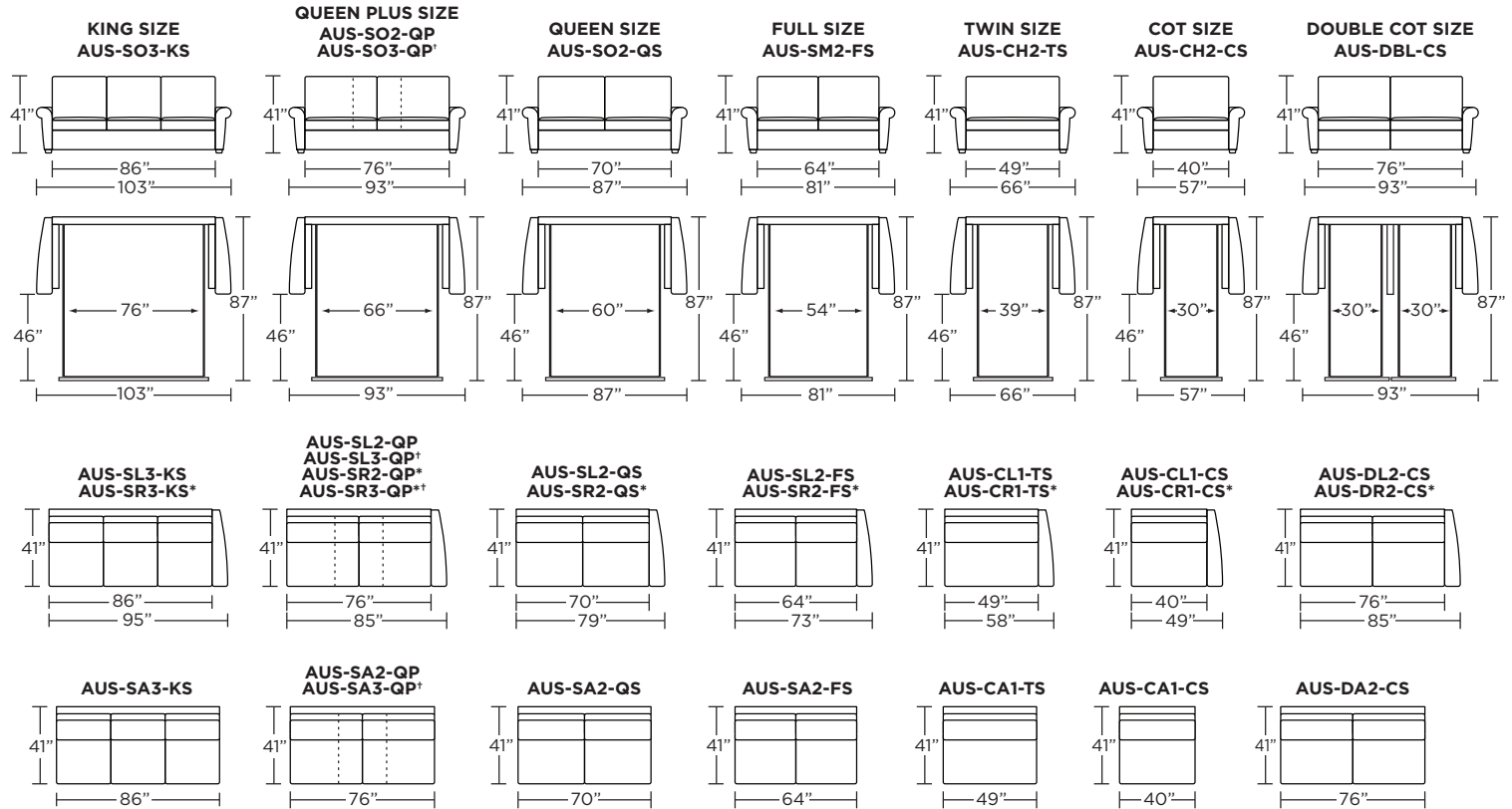
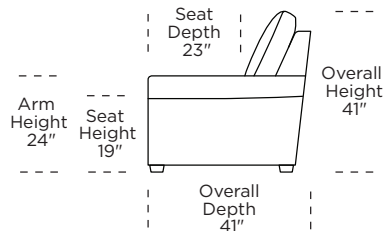
- Premier with Crypton® ticking
- Gel
- Tempur-Pedic®

**Options:**

- High-density, high-resiliency foam seat cushions encased in down
- Back cushion options: **Hills** (channels), **Ridge** (saddle) or **Valley** (tufted)
- Contrasting stitch detail available in Black, Brown, Charcoal, Cream, Espresso, Grey, Lemon, Pink, Royal, Scarlet, Tangerine, or Teal thread color
- Wood legs available in Acorn, Espresso or Walnut finish

Please use actual leather, fabric, Crypton®, Sunbrella® and Ultrasuede® swatches when specifying furniture as the colors shown may vary due to the printing process.

**Note:** Microfiber fabrics such as SUEDELIFE and VEELIFE not suggested for this style. Please contact American Leather® Support Services for a complete list of recommended fabrics.



\* Picture shows left arm seated. Please specify left or right arm seated when ordering.  
 All orders are in seated position.  
 † Dotted lines for Queen Plus sizes indicates the number of seats.

Tiffany 24/7™ Convertible mechanism, U.S. Patents #6904628, #8893323, #9468303, #9668585. Additional patents pending.

Scale: 1/8 inch = 1 foot  
 All dimensions are approximate and subject to change.

V10.09.20

# STYLE IN MOTION® M-SERIES

---

## BRECKENRIDGE



**AMERICAN**  
LEATHER®

**Standard Features:**

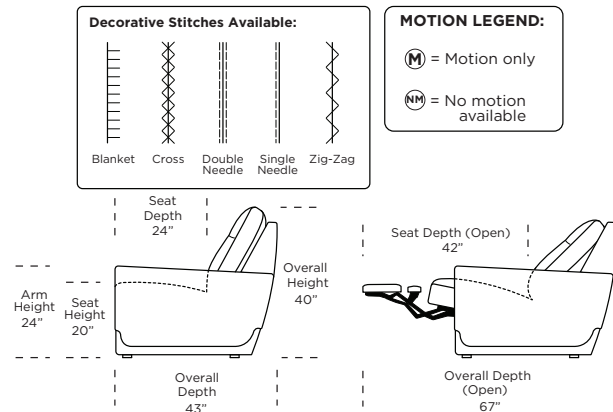
- Premium high-density, high-resiliency foam seat cushions with memory foam topper
- Advanced unidirectional suspension system
- Semi-attached back cushions
- Tight seat cushions
- Double-needle top-stitch
- In-arm control panel is easy to use and includes a 2-amp USB charging port
- Control panel is LED backlit with auto-off after 5 seconds
- Power headrest
- Lifetime warranty on frame and suspension
- Five-year warranty on mechanism
- Three-year warranty on motor
- Quick-ship delivery

**Options:**

- Premium high-density, high-resiliency foam seat cushions with memory foam topper encased in down
- Choice of decorative stitch detail - blanket, cross, double-needle, or zig-zag
- Contrasting stitch detail available in Black, Brown, Charcoal, Cream, Espresso, Grey, Lemon, Pink, Royal, Scarlet, Tangerine, or Teal thread color
- Adjustable lumbar support
- 4-amp hour lithium-ion battery pack available
- Battery pack has a one-year warranty
- Easy disassembly for delivery
- Console wood trim available in Dark Brown Ash or Natural Walnut
- Wood leg available in Dark Brown Ash or Natural Walnut

Please use actual leather, fabric, Crypton®, Sunbrella® and Ultrasuede® swatches when specifying furniture as the colors shown may vary due to the printing process.

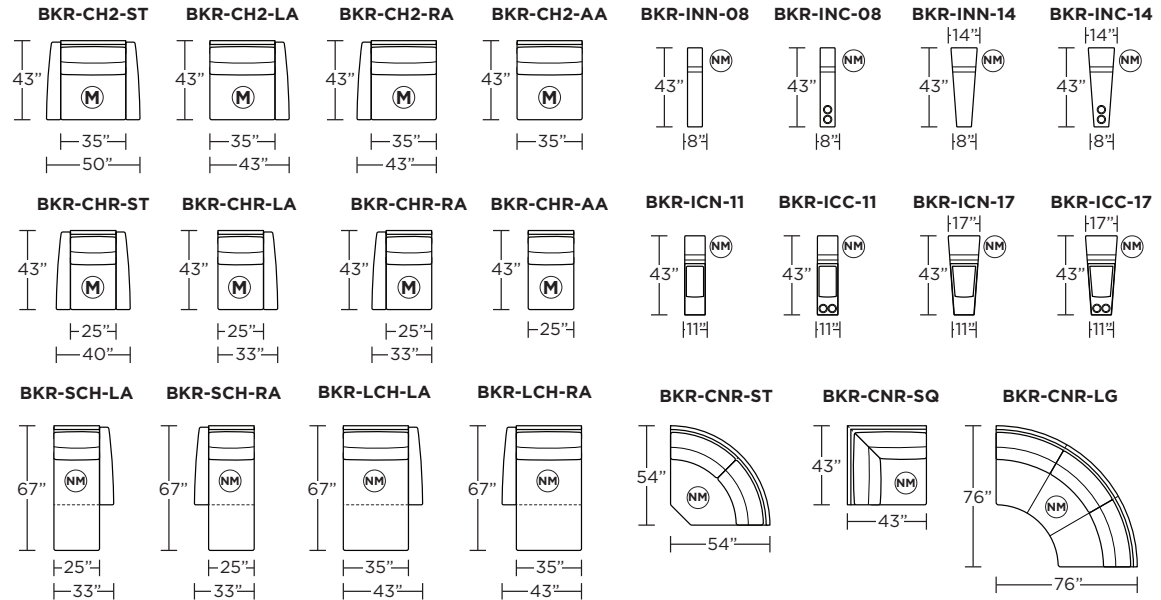
**Note:** Microfiber fabrics such as SUEDELIFE and VEELIFE not suggested for this style. Please contact American Leather® Support Services for a complete list of recommended fabrics.



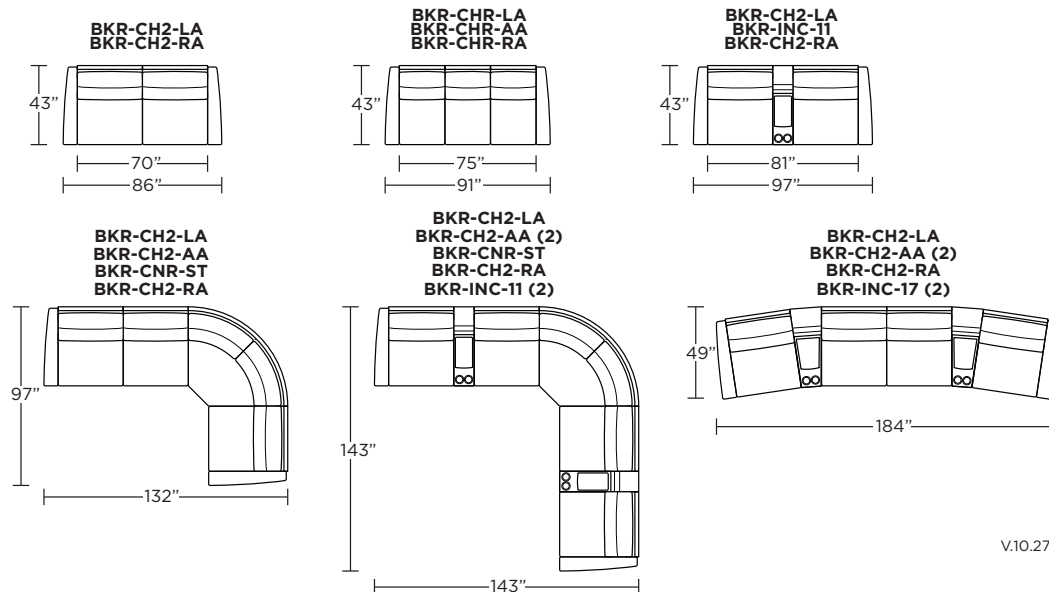
**Note:** Dotted line indicates seam on leather, Ultrasuede® and up the roll fabrics. Seams are eliminated with railroaded fabrics.

Safe low voltage electrical components are UL listed.

**BRECKENRIDGE**



**Suggested Configurations**



V.10.27.21

Scale : 1/8 inch = 1 foot  
All dimensions are approximate and subject to change.  
Specify all components from the sitting position.

# STYLE IN MOTION® G-SERIES

---

## **BRYANT**



**AMERICAN  
LEATHER®**



**BRYANT**

**Standard Features:**

- Premium high-density, high-resiliency foam seat cushions encased in down
- Sinuous spring suspension
- Semi-attached back cushions with lumbar support
- Semi-attached seat cushions
- Double-needle top-stitch
- In-arm control panel is easy to use and includes a 2-amp USB charging port
- Control panel is LED backlit with auto-off after 5 seconds
- Lifetime warranty on frame and suspension
- Five-year warranty on mechanism
- Three-year warranty on motor
- Quick-ship delivery

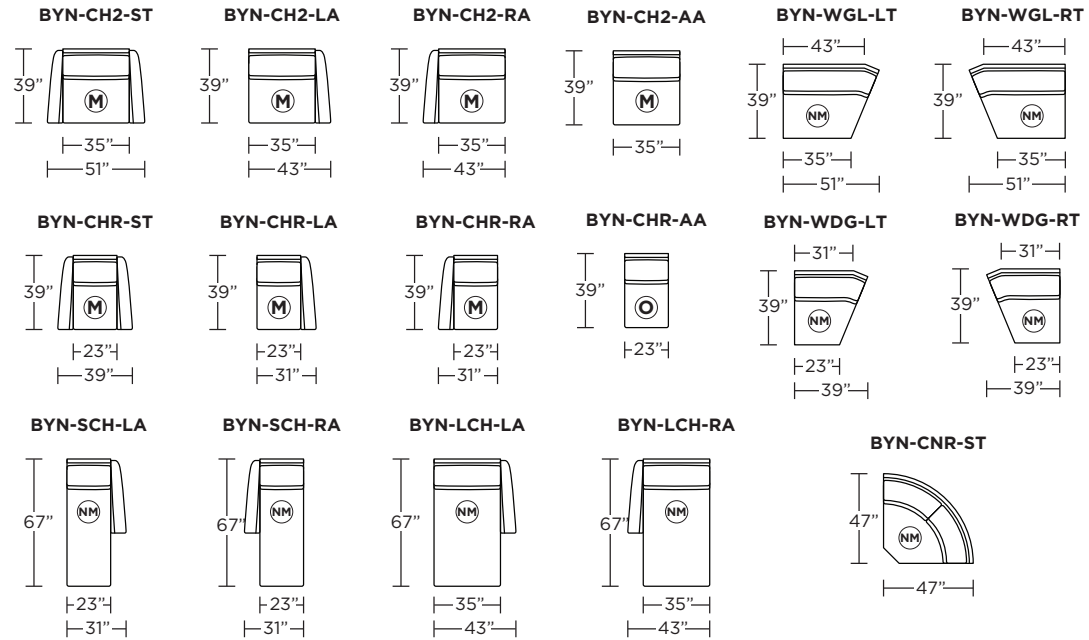
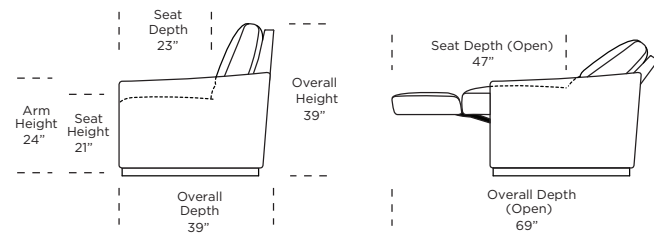
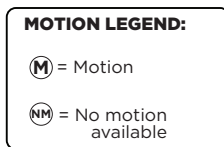
**Options:**

- Wood sled legs available in Natural Walnut or Gray Ash
- Premium high-density, high-resiliency foam seat cushion
- Contrasting stitch detail available in Black, Brown, Charcoal, Cream, Espresso, Grey, Lemon, Pink, Royal, Scarlet, Tangerine, or Teal thread color
- Contrasting back and seat cushions available (two-tone)
- 1.8-amp hour lithium-ion battery pack available
- Battery pack has a one-year warranty
- Easy disassembly for delivery

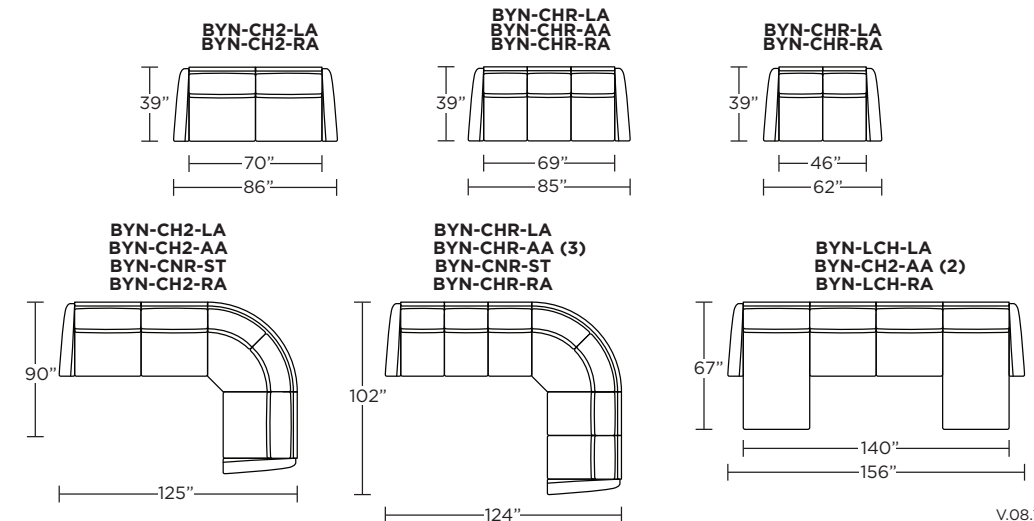
Please use actual leather, fabric, Crypton®, Sunbrella® and Ultrasuede® swatches when specifying furniture as the colors shown may vary due to the printing process.

**Note:** Microfiber fabrics such as SUEDELIFE and VEELIFE not suggested for this style. Please contact American Leather® Support Services for a complete list of recommended fabrics.

**Wall Clearance is 5" at full recline.**



**Suggested Configurations**



V.08.19.21

Safe low voltage electrical components are UL listed.

Scale : 1/8 inch = 1 foot  
All dimensions are approximate and subject to change.  
Specify all components from the sitting position.

# STYLE IN MOTION® G-SERIES

---

## CHELSEA



**AMERICAN**  
LEATHER®

**CHELSEA**

**Standard Features:**

- Premium high-density, high-resiliency foam seat cushions encased in down
- Sinuuous spring suspension
- Semi-attached back cushions with lumbar support
- Semi-attached seat cushions
- Double-needle top-stitch
- In-arm control panel is easy to use and includes a 2-amp USB charging port
- Control panel is LED backlit with auto-off after 5 seconds
- Lifetime warranty on frame and suspension
- Five-year warranty on mechanism
- Three-year warranty on motor
- Quick-ship delivery

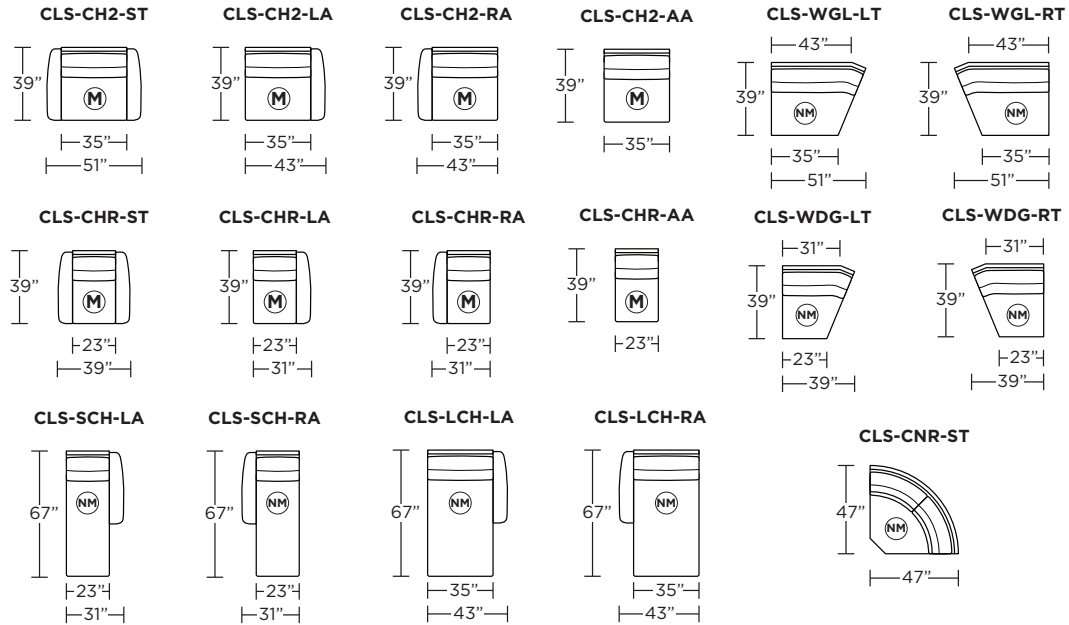
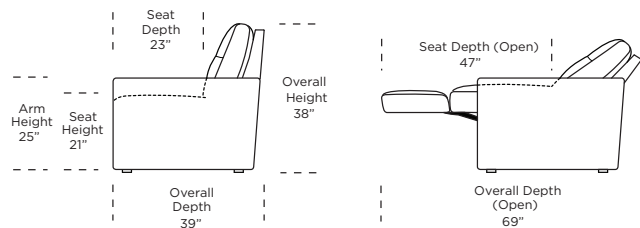
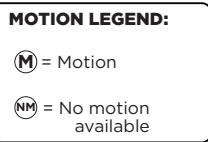
**Options:**

- Premium high-density, high-resiliency foam seat cushion
- Contrasting stitch detail available in Black, Brown, Charcoal, Cream, Espresso, Grey, Lemon, Pink, Royal, Scarlet, Tangerine, or Teal thread color
- Contrasting back and seat cushions available (two-tone)
- 1.8-hour lithium-ion battery pack available
- Battery pack has a one-year warranty
- Easy disassembly for delivery

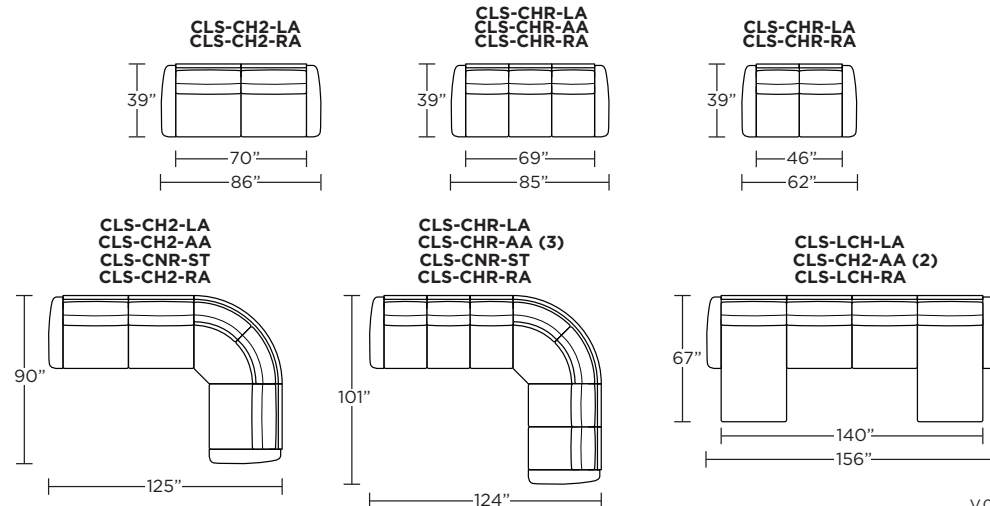
Please use actual leather, fabric, Crypton®, Sunbrella® and Ultrasuede® swatches when specifying furniture as the colors shown may vary due to the printing process.

**Note:** Microfiber fabrics such as SUEDELIFE and VEELIFE not suggested for this style. Please contact American Leather® Support Services for a complete list of recommended fabrics.

Wall Clearance is 5" at full recline.



**Suggested Configurations**



V.08.19.21

Safe low voltage electrical components are UL listed.

Scale : 1/8 inch = 1 foot  
 All dimensions are approximate and subject to change.  
 Specify all components from the sitting position.

# STYLE IN MOTION® G-SERIES

---

## HUDSON



**AMERICAN**  
LEATHER®

**HUDSON**

**Standard Features:**

- Premium high-density, high-resiliency foam seat cushions encased in down
- Sinuous spring suspension
- Semi-attached buttonless tufted back cushions with lumbar support
- Semi-attached seat cushions
- Single-needle top-stitch
- Buttonless tufted outside arm
- In-arm control panel is easy to use and includes a 2-amp USB charging port
- Control panel is LED backlit with auto-off after 5 seconds
- Polished chrome leg
- Lifetime warranty on frame and suspension
- Five-year warranty on mechanism
- Three-year warranty on motor
- Quick-ship delivery

**Options:**

- Premium high-density, high-resiliency foam seat cushion
- Contrasting stitch detail available in Black, Brown, Charcoal, Cream, Espresso, Grey, Lemon, Pink, Royal, Scarlet, Tangerine, or Teal thread color
- Contrasting back and seat cushions available (two-tone)
- 1.8-amp hour lithium-ion battery pack available
- Battery pack has a one-year warranty
- Easy disassembly for delivery

Please use actual leather, fabric, Crypton®, Sunbrella® and Ultrasuede® swatches when specifying furniture as the colors shown may vary due to the printing process.

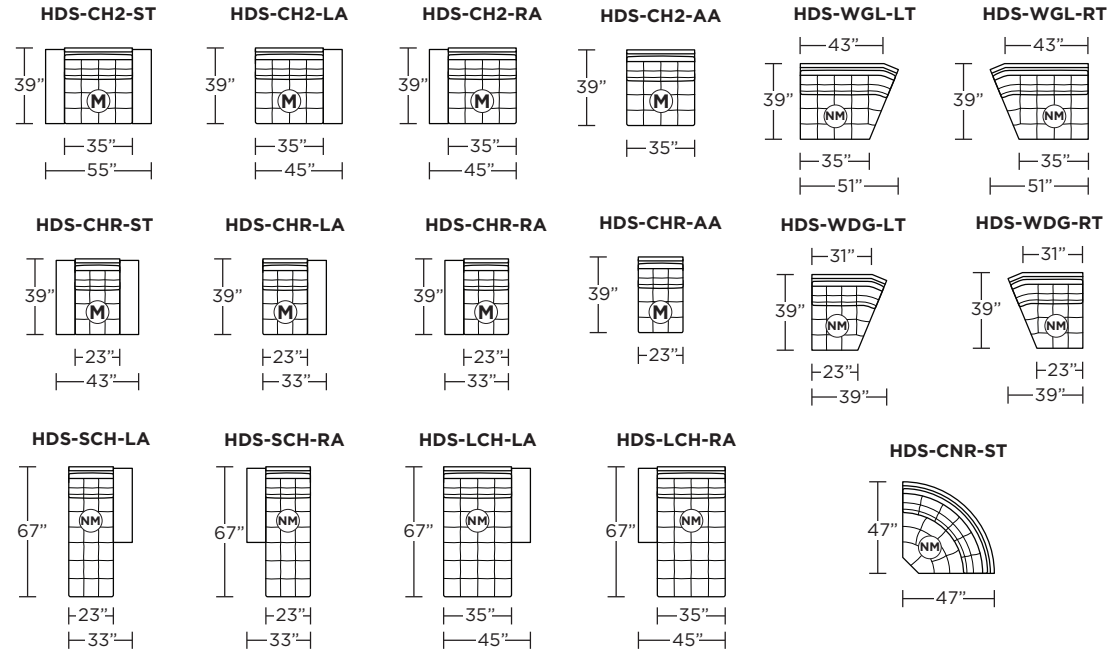
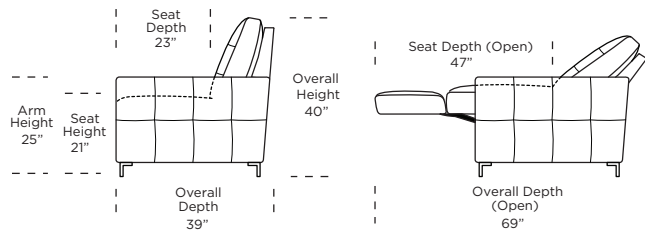
**Note:** Microfiber fabrics such as SUEDELIFE and VEELIFE not suggested for this style. Please contact American Leather® Support Services for a complete list of recommended fabrics.

**Wall Clearance is 5" at full recline.**

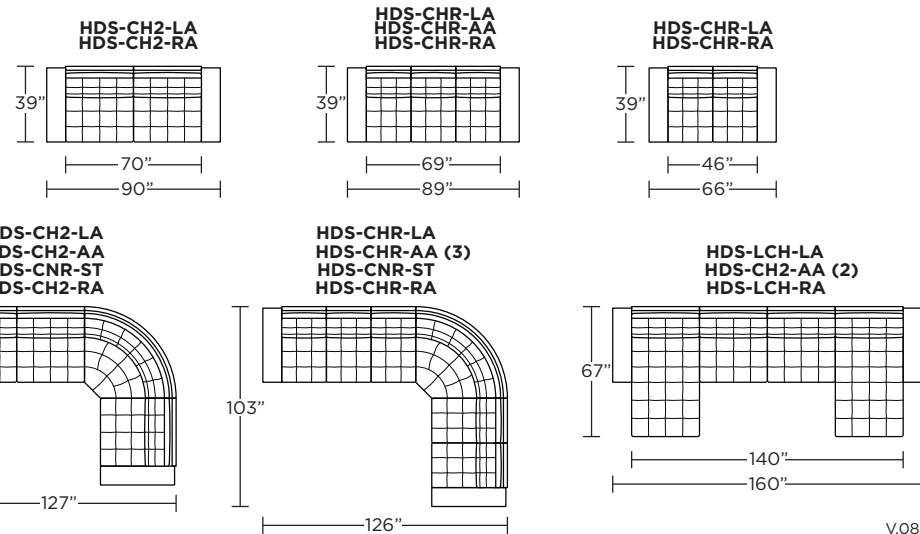
**MOTION LEGEND:**

(M) = Motion

(NM) = No motion available



**Suggested Configurations**



V.08.19.21

Safe low voltage electrical components are UL listed.

Scale : 1/8 inch = 1 foot  
All dimensions are approximate and subject to change.  
Specify all components from the sitting position.

# STYLE IN MOTION<sup>®</sup> M-SERIES

---

## KEYSTONE



**AMERICAN  
LEATHER**

**Standard Features:**

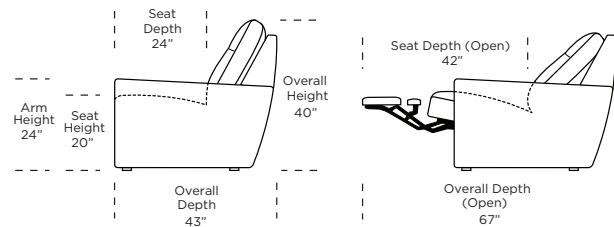
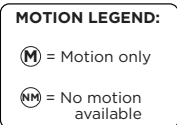
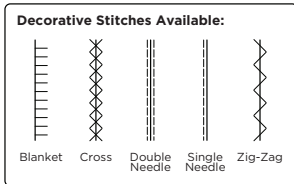
- Premium high-density, high-resiliency foam seat cushions with memory foam topper
- Advanced unidirectional suspension system
- Semi-attached back cushions
- Tight seat cushions
- Double-needle top-stitch
- In-arm control panel is easy to use and includes a 2-amp USB charging port
- Control panel is LED backlit with auto-off after 5 seconds
- Power headrest
- Lifetime warranty on frame and suspension
- Five-year warranty on mechanism
- Three-year warranty on motor
- Quick-ship delivery

**Options:**

- Premium high-density, high-resiliency foam seat cushions with memory foam topper encased in down
- Choice of decorative stitch detail - blanket, cross, double-needle, or zig-zag
- Contrasting stitch detail available in Black, Brown, Charcoal, Cream, Espresso, Grey, Lemon, Pink, Royal, Scarlet, Tangerine, or Teal thread color
- Adjustable lumbar support
- 4-amp hour lithium-ion battery pack available
- Battery pack has a one-year warranty
- Easy disassembly for delivery
- Console wood trim available in Dark Brown Ash or Natural Walnut

Please use actual leather, fabric, Crypton®, Sunbrella® and Ultrasuede® swatches when specifying furniture as the colors shown may vary due to the printing process.

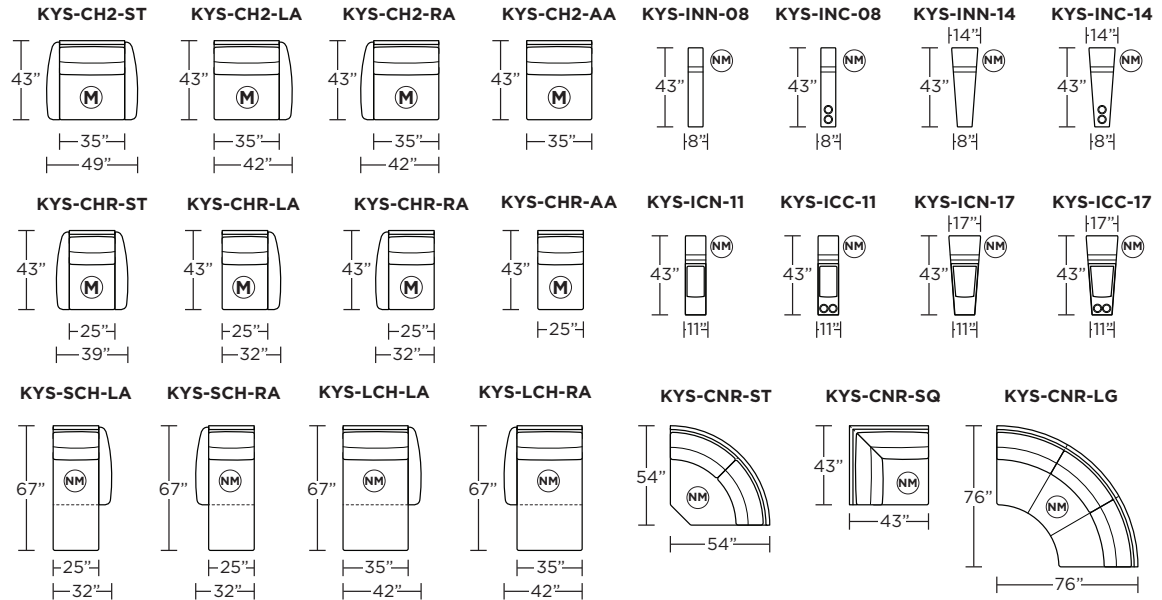
**Note:** Microfiber fabrics such as SUEDELIFE and VEELIFE not suggested for this style. Please contact American Leather® Support Services for a complete list of recommended fabrics.



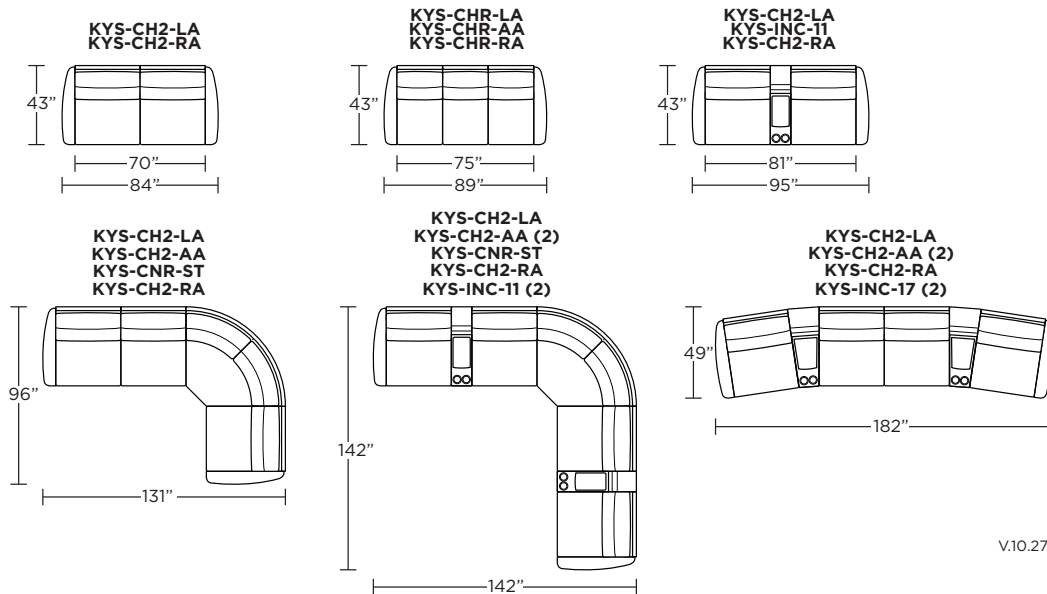
**Note:** Dotted line indicates seam on leather, Ultrasuede® and up the roll fabrics. Seams are eliminated with railroaded fabrics.

Safe low voltage electrical components are UL listed.

**KEYSTONE**



**Suggested Configurations**



V.10.27.21

Scale : 1/8 inch = 1 foot  
All dimensions are approximate and subject to change.  
Specify all components from the sitting position.

# STYLE IN MOTION® I-SERIES

---

## MONZA



**AMERICAN  
LEATHER**



# Style in Motion by American Leather® I-Series

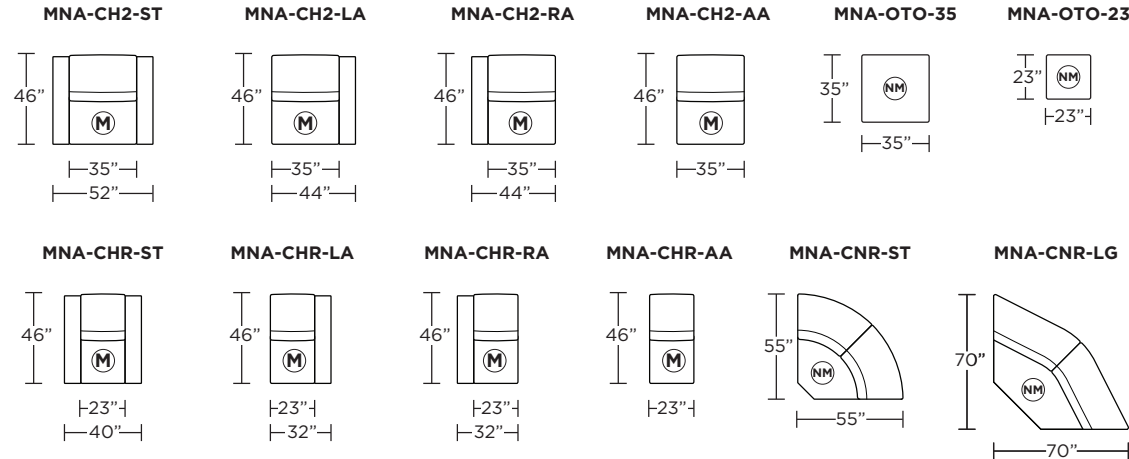
## MONZA

### Standard Features:

- Premium high-density, high-resiliency foam seat cushions
- Advanced unidirectional suspension system
- Double-needle top-stitch and single-needle top-stitch with thick thread
- In-arm control panel is easy to use and includes a 2-amp USB charging port
- Lifetime warranty on frame and suspension
- Five-year warranty on mechanism
- Three-year warranty on motor
- Quick-ship delivery

### Options:

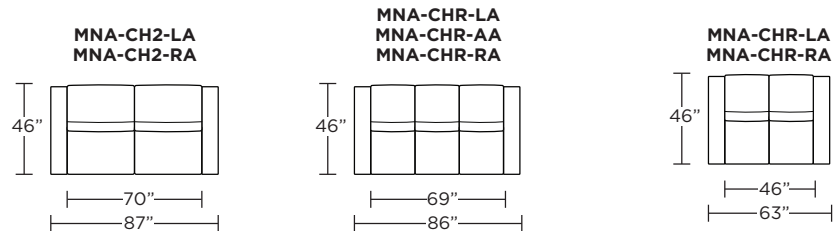
- Contrasting stitch detail available in Black, Brown, Charcoal, Cream, Espresso, Grey, Lemon, Pink, Royal, Scarlet, Tangerine, or Teal thread color
- 2-amp hour lithium-ion battery pack available
- Easy disassembly for delivery
- Metal legs available in Antique Brass, Burnished Bronze, or Polished Nickel



### Suggested Configurations

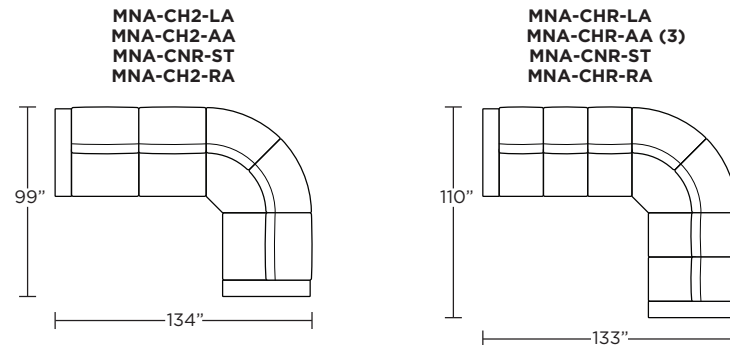
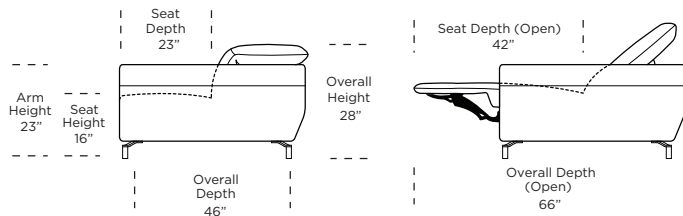
Please use actual leather, fabric, Crypton®, Sunbrella® and Ultrasuede® swatches when specifying furniture as the colors shown may vary due to the printing process.

**Note:** Microfiber fabrics such as SUEDELIFE and VEELIFE not suggested for this style. Please contact American Leather® Support Services for a complete list of recommended fabrics.



### MOTION LEGEND:

- (M)** = Motion only
- (NM)** = No motion available



Safe low voltage electrical components are UL listed.

Scale : 1/8 inch = 1 foot  
All dimensions are approximate and subject to change.  
Specify all components from the sitting position.

# STYLE IN MOTION COLLECTION

---

## **NAPA** (MOTION)



**AMERICAN**  
LEATHER®

**Standard Features:**

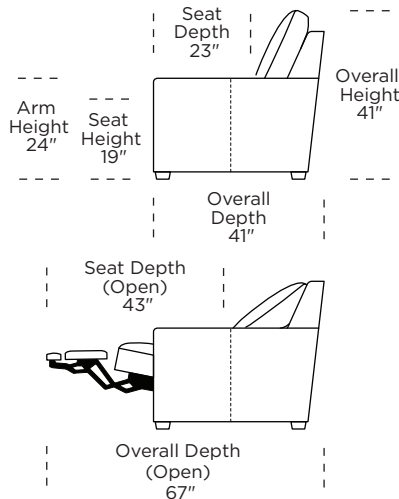
- Advanced unidirectional suspension system
- Premium high-density, high-resiliency foam seat cushions
- Single-needle top-stitch
- In-arm control panel includes 2-amp USB charging port
- Stationary armless seats
- Lifetime warranty on frame and suspension
- Five-year warranty on mechanism
- Three-year warranty on motor
- Quick-ship delivery

**Options:**

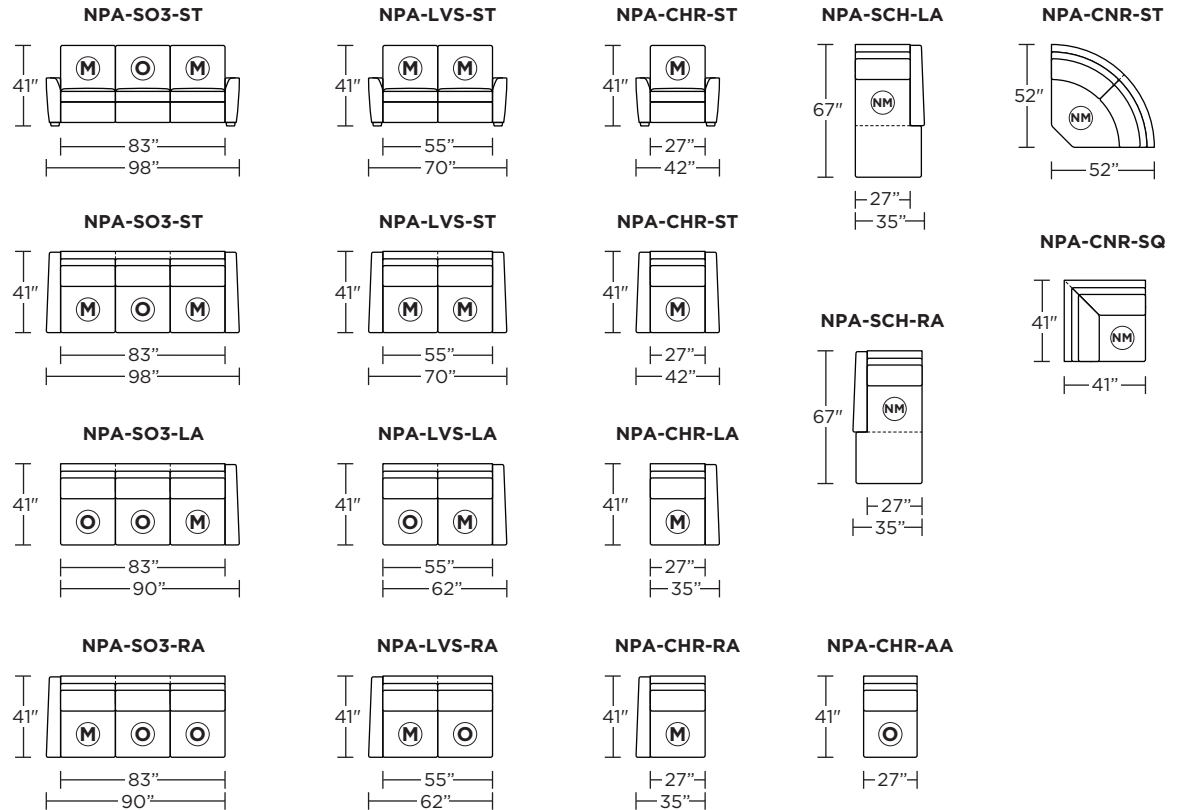
- Premium high-density, high-resiliency foam seat cushions encased in down
- Back cushion options: **Hills** (channels), **Ridge** (saddle) or **Valley** (tufted)
- Contrasting stitch detail available in Black, Brown, Charcoal, Cream, Espresso, Grey, Lemon, Pink, Royal, Scarlet, Tangerine, or Teal thread color
- Option of motion in armless seats
- Lithium-ion battery pack available
- Battery pack has one-year warranty
- Wood legs available in Acorn, Espresso or Walnut finish

Please use actual leather, fabric, Crypton®, Sunbrella® and Ultrasuede® swatches when specifying furniture as the colors shown may vary due to the printing process.

**Note:** Microfiber fabrics such as SUEDELIFE and VEELIFE not suggested for this style. Please contact American Leather® Support Services for a complete list of recommended fabrics.



**Note:** Dotted line indicates seam on leather, Ultrasuede® and up the roll fabrics. Seams are eliminated with railroaded fabrics.



**MOTION LEGEND:**

- M = Motion only
- O = Optional motion or stationary
- NM = No motion available

**BACK CUSHION OPTIONS:**

**Hills**  
(Channels)

**Ridge**  
(Saddle)

**Valley**  
(Tufted)

# STYLE IN MOTION COLLECTION

---

## **NAPA** (SLEEPER)



**AMERICAN**  
LEATHER®

**NAPA**

**Standard Features:**

- Featuring the patented Tiffany 24/7™ platform sleep system
- Room to stretch out with true 80 inches of bedroom-length sleeping surface
- Ultimate comfort on five inches of plush, high-density foam mattress
- Under-sofa dust covers keeps dust and dirt from ever touching the mattress
- Zero wall clearance
- Single-needle top-stitch
- Premium high-density, high-resiliency foam seat cushions
- Loose back and seat cushions
- Lifetime warranty on frame
- Ten-year warranty on mechanism
- Quick-ship delivery

**Mattress Options:**

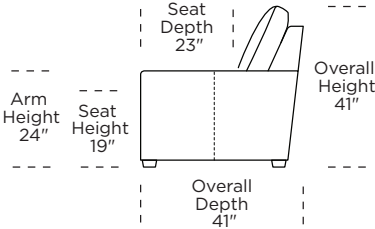
- Premier with Crypton® ticking
- Gel
- Tempur-Pedic®

**Options:**

- High-density, high-resiliency foam seat cushions encased in down
- Back cushion options: **Hills** (channels), **Ridge** (saddle) or **Valley** (tufted)
- Contrasting stitch detail available in Black, Brown, Charcoal, Cream, Espresso, Grey, Lemon, Pink, Royal, Scarlet, Tangerine, or Teal thread color
- Wood legs available in Acorn, Espresso or Walnut finish

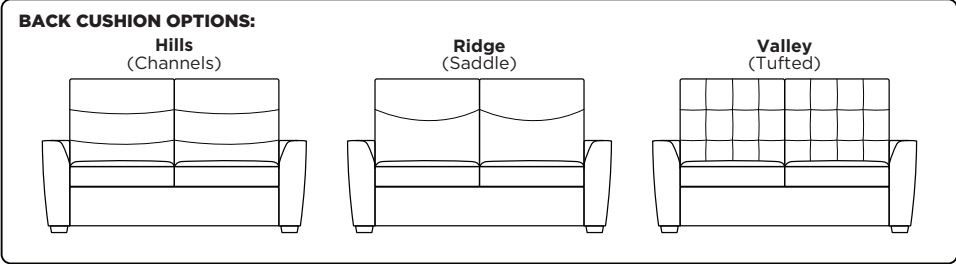
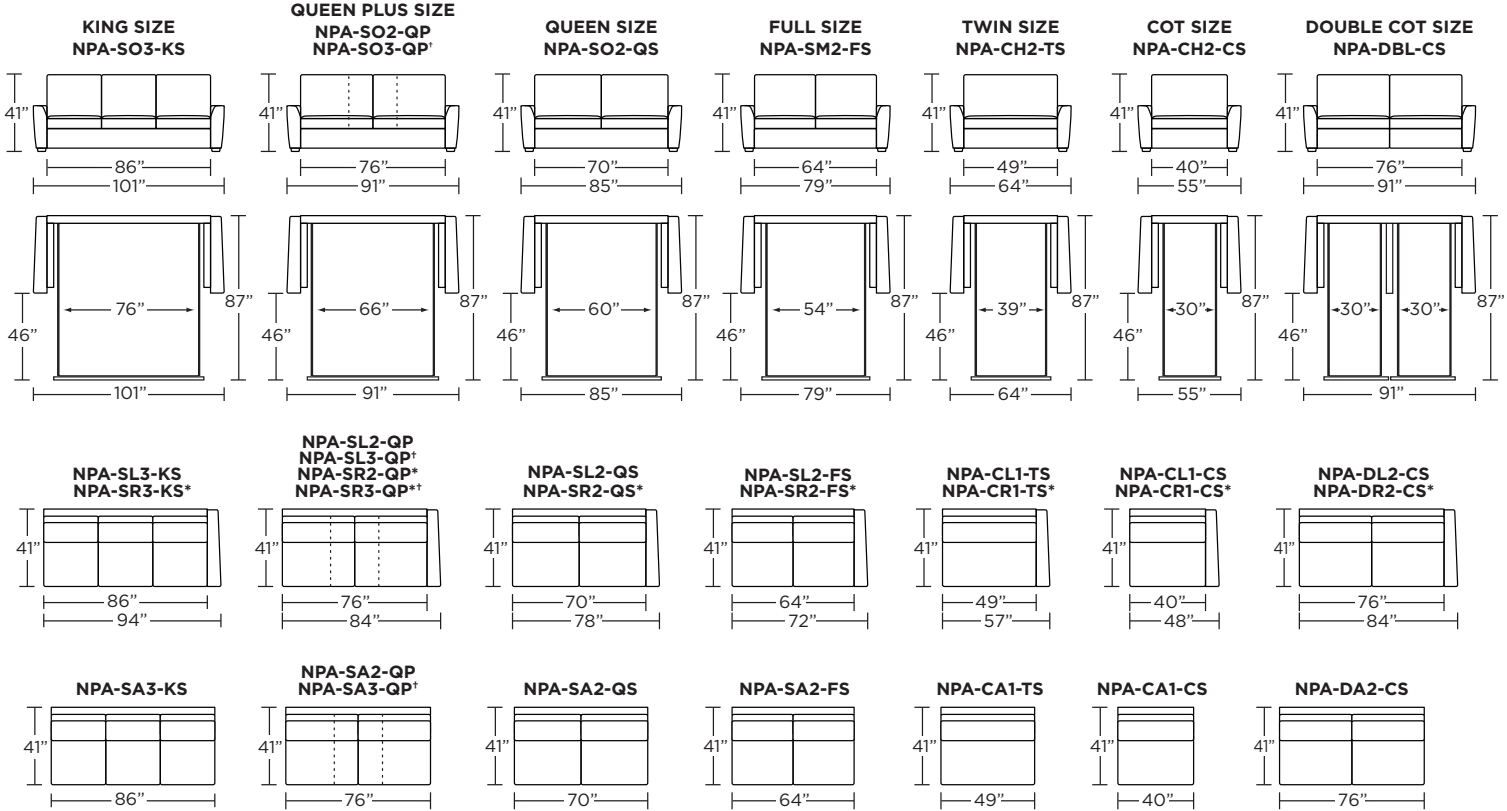
Please use actual leather, fabric, Crypton®, Sunbrella® and Ultrasuede® swatches when specifying furniture as the colors shown may vary due to the printing process.

**Note:** Microfiber fabrics such as SUEDELIFE and VEELIFE not suggested for this style. Please contact American Leather® Support Services for a complete list of recommended fabrics.



\* Picture shows left arm seated. Please specify left or right arm seated when ordering.  
 All orders are in seated position.  
 † Dotted lines for Queen Plus sizes indicates the number of seats.

Tiffany 24/7™ Convertible mechanism, U.S. Patents #6904628, #8893323, #9468303, #9668585. Additional patents pending.



V10.08.20

Scale: 1/8 inch = 1 foot  
 All dimensions are approximate and subject to change.

# STYLE IN MOTION COLLECTION

---

## **SARASOTA** (MOTION)



**AMERICAN**  
LEATHER®

**Standard Features:**

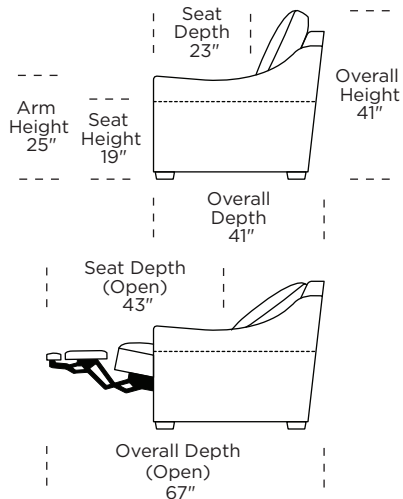
- Advanced unidirectional suspension system
- Premium high-density, high-resiliency foam seat cushions
- Single-needle top-stitch
- In-arm control panel includes 2-amp USB charging port
- Stationary armless seats
- Lifetime warranty on frame and suspension
- Five-year warranty on mechanism
- Three-year warranty on motor
- Quick-ship delivery

**Options:**

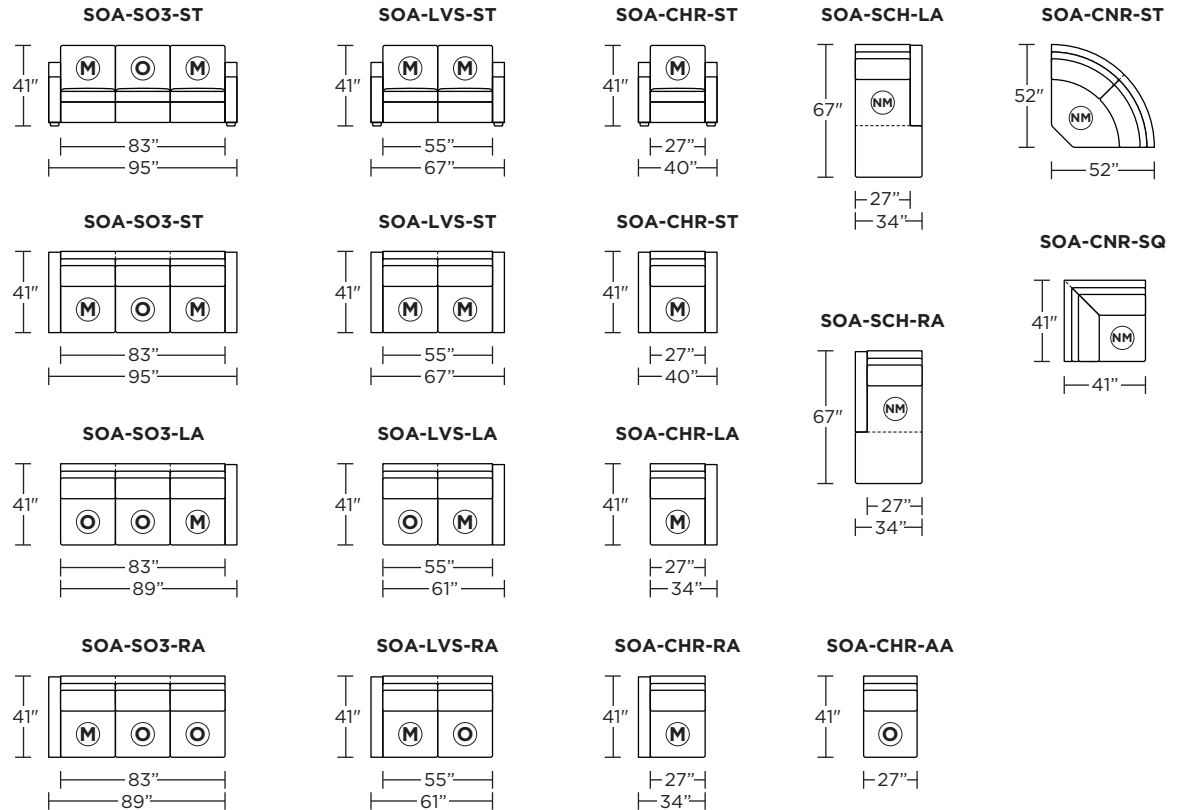
- Premium high-density, high-resiliency foam seat cushions encased in down
- Back cushion options: **Hills** (channels), **Ridge** (saddle) or **Valley** (tufted)
- Contrasting stitch detail available in Black, Brown, Charcoal, Cream, Espresso, Grey, Lemon, Pink, Royal, Scarlet, Tangerine, or Teal thread color
- Option of motion in armless seats
- Lithium-ion battery pack available
- Battery pack has one-year warranty
- Wood legs available in Acorn, Espresso or Walnut finish

Please use actual leather, fabric, Crypton®, Sunbrella® and Ultrasuede® swatches when specifying furniture as the colors shown may vary due to the printing process.

**Note:** Microfiber fabrics such as SUEDELIFE and VEELIFE not suggested for this style. Please contact American Leather® Support Services for a complete list of recommended fabrics.



**Note:** Dotted line indicates seam on leather, Ultrasuede® and up the roll fabrics. Seams are eliminated with railroaded fabrics.



**MOTION LEGEND:**

- (M) = Motion only
- (O) = Optional motion or stationary
- (NM) = No motion available

**BACK CUSHION OPTIONS:**

- Hills (Channels)**
- Ridge (Saddle)**
- Valley (Tufted)**

# STYLE IN MOTION COLLECTION

---

## **SARASOTA** (SLEEPER)



**AMERICAN**  
LEATHER®



**SARASOTA**

**Standard Features:**

- Featuring the patented Tiffany 24/7™ platform sleep system
- Room to stretch out with true 80 inches of bedroom-length sleeping surface
- Ultimate comfort on five inches of plush, high-density foam mattress
- Under-sofa dust covers keeps dust and dirt from ever touching the mattress
- Zero wall clearance
- Single-needle top-stitch
- Premium high-density, high-resiliency foam seat cushions
- Loose back and seat cushions
- Lifetime warranty on frame
- Ten-year warranty on mechanism
- Quick-ship delivery

**Mattress Options:**

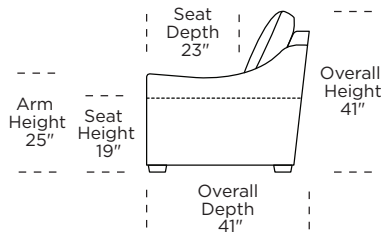
- Premier with Crypton® ticking
- Gel
- Tempur-Pedic®

**Options:**

- High-density, high-resiliency foam seat cushions encased in down
- Back cushion options: **Hills** (channels), **Ridge** (saddle) or **Valley** (tufted)
- Contrasting stitch detail available in Black, Brown, Charcoal, Cream, Espresso, Grey, Lemon, Pink, Royal, Scarlet, Tangerine, or Teal thread color
- Wood legs available in Acorn, Espresso or Walnut finish

Please use actual leather, fabric, Crypton®, Sunbrella® and Ultrasuede® swatches when specifying furniture as the colors shown may vary due to the printing process.

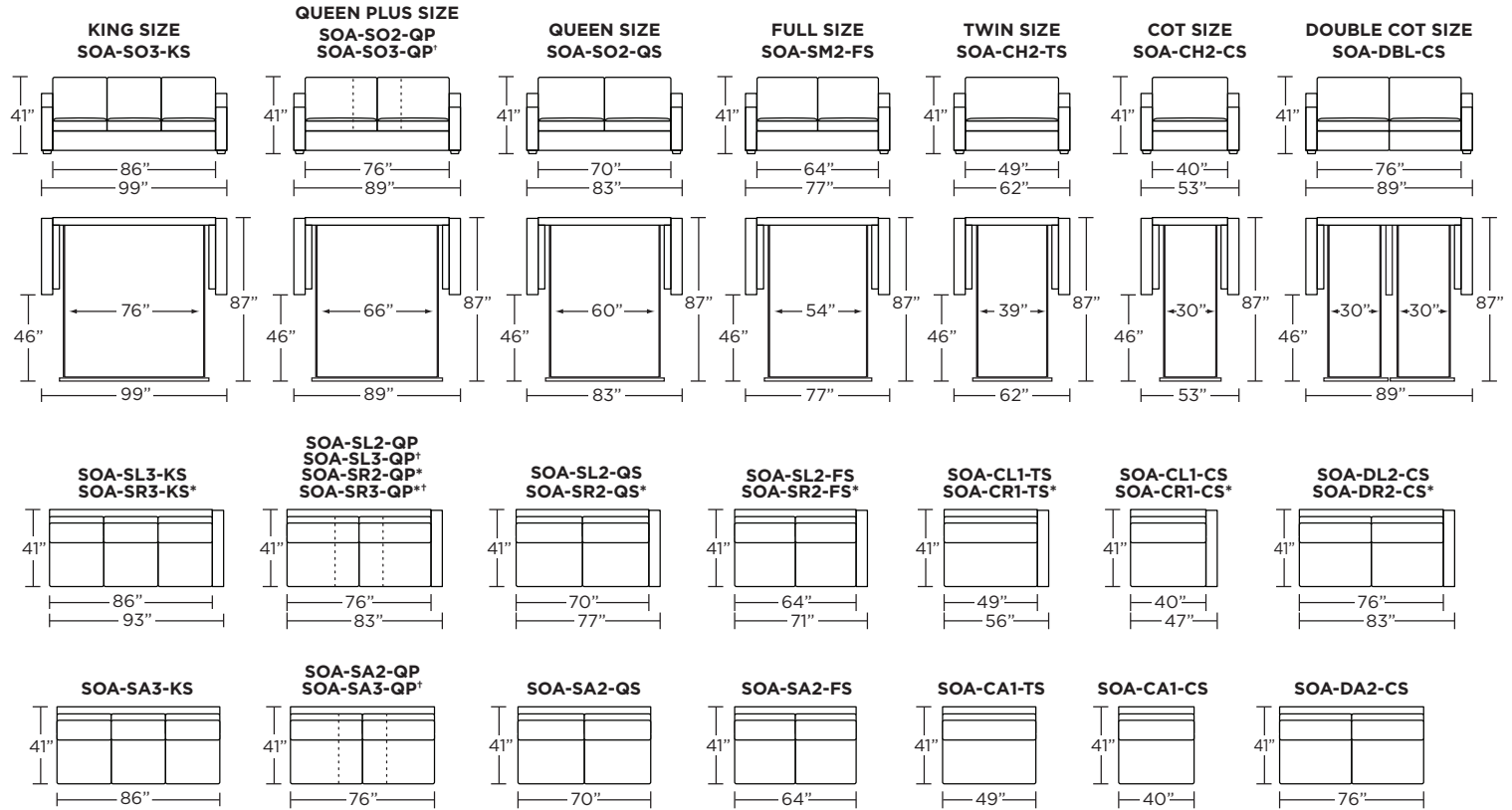
**Note:** Microfiber fabrics such as SUEDELIFE and VEELIFE not suggested for this style. Please contact American Leather® Support Services for a complete list of recommended fabrics.



\* Picture shows left arm seated. Please specify left or right arm seated when ordering.  
All orders are in seated position.

† Dotted lines for Queen Plus sizes indicates the number of seats.

Tiffany 24/7™ Convertible mechanism, U.S. Patents #6904628, #8893323, #9468303, #9668585. Additional patents pending.

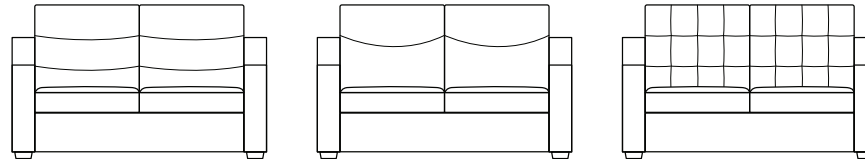


**BACK CUSHION OPTIONS:**

**Hills**  
(Channels)

**Ridge**  
(Saddle)

**Valley**  
(Tufted)



V10.09.20

Scale: 1/8 inch = 1 foot  
All dimensions are approximate and subject to change.

# STYLE IN MOTION® M-SERIES

---

## TAOS



**AMERICAN**  
LEATHER®

**Standard Features:**

- Premium high-density, high-resiliency foam seat cushions with memory foam topper
- Advanced unidirectional suspension system
- Semi-attached buttonless tufted back cushions
- Tight buttonless tufted seat cushions
- Single-needle top-stitch
- Buttonless tufted outside arm
- In-arm control panel is easy to use and includes a 2-amp USB charging port
- Control panel is LED backlit with auto-off after 5 seconds
- Power headrest
- Lifetime warranty on frame and suspension
- Five-year warranty on mechanism
- Three-year warranty on motor
- Quick-ship delivery

**Options:**

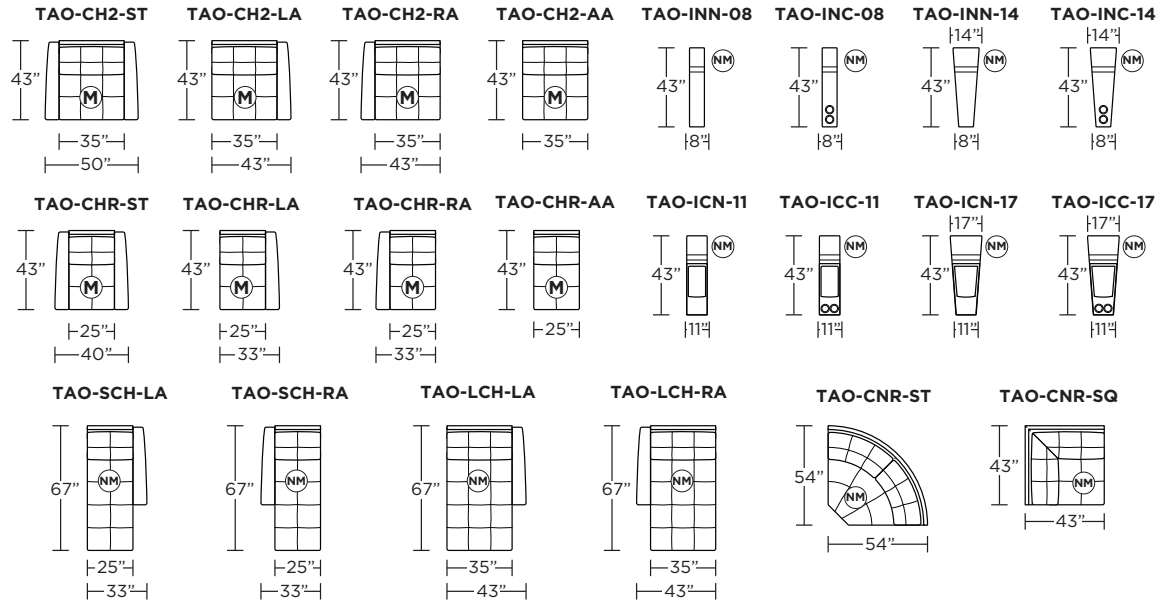
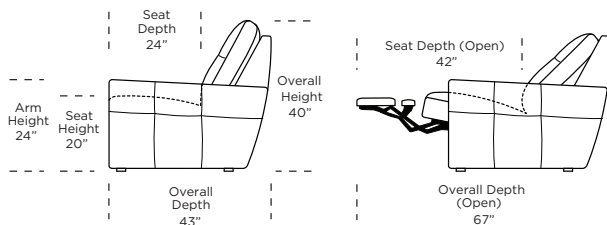
- Premium high-density, high-resiliency foam seat cushions with memory foam topper encased in down
- Contrasting stitch detail available in Black, Brown, Charcoal, Cream, Espresso, Grey, Lemon, Pink, Royal, Scarlet, Tangerine, or Teal thread color
- Adjustable lumbar support
- 4-amp hour lithium-ion battery pack available
- Battery pack has a one-year warranty
- Easy disassembly for delivery
- Console wood trim available in Dark Brown Ash or Natural Walnut

Please use actual leather, fabric, Crypton®, Sunbrella® and Ultrasuede® swatches when specifying furniture as the colors shown may vary due to the printing process.

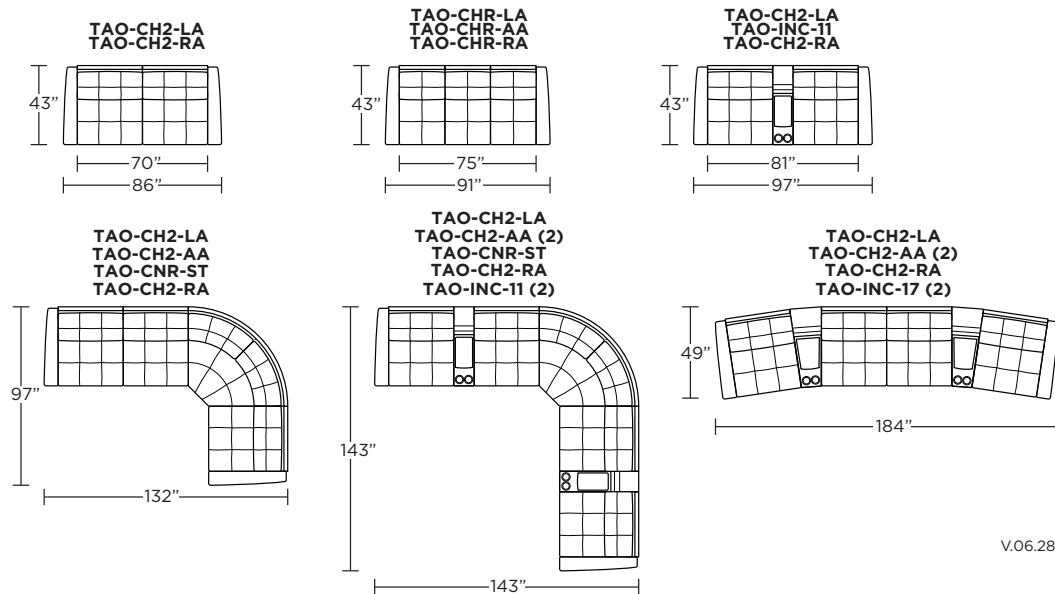
**Note:** Microfiber fabrics such as SUEDELIFE and VEELIFE not suggested for this style. Please contact American Leather® Support Services for a complete list of recommended fabrics.

**MOTION LEGEND:**

- (M) = Motion only
- (NM) = No motion available



**Suggested Configurations**



V.06.28.21

Scale : 1/8 inch = 1 foot  
All dimensions are approximate and subject to change.  
Specify all components from the sitting position.

Safe low voltage electrical components are UL listed.

# STYLE IN MOTION® I-SERIES

---

## TURIN



**AMERICAN**  
LEATHER®

# Style in Motion by American Leather® I-Series

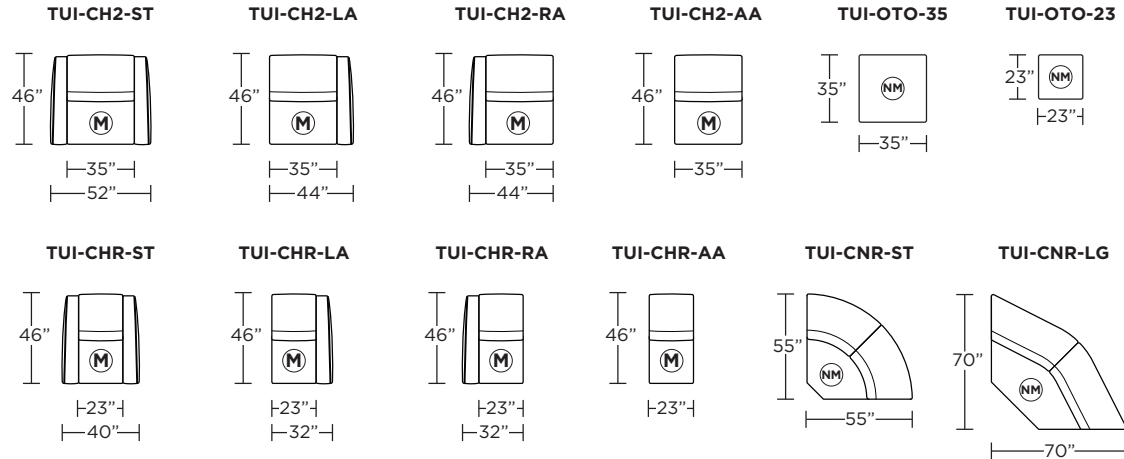
## TURIN

### Standard Features:

- Premium high-density, high-resiliency foam seat cushions
- Advanced unidirectional suspension system
- Double-needle top-stitch with thick thread
- In-arm control panel is easy to use and includes a 2-amp USB charging port
- Lifetime warranty on frame and suspension
- Five-year warranty on mechanism
- Three-year warranty on motor
- Quick-ship delivery

### Options:

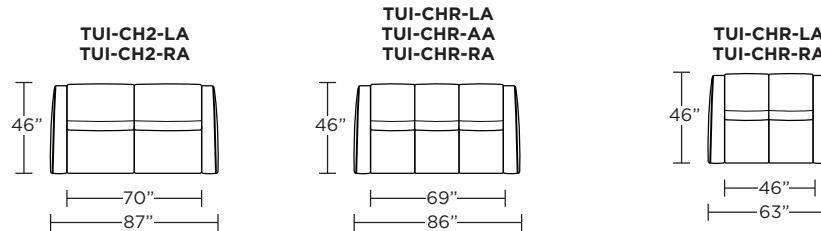
- Contrasting welt detail available
- Contrasting stitch detail available in Black, Brown, Charcoal, Cream, Espresso, Grey, Lemon, Pink, Royal, Scarlet, Tangerine, or Teal thread color
- 2-amp hour lithium-ion battery pack available
- Easy disassembly for delivery
- Metal legs available in Antique Brass, Burnished Bronze, or Polished Nickel



### Suggested Configurations

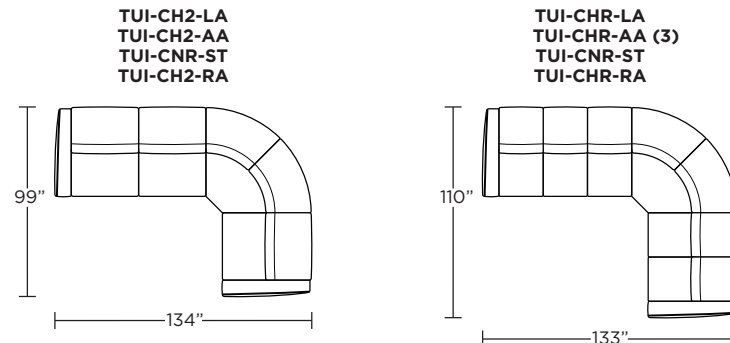
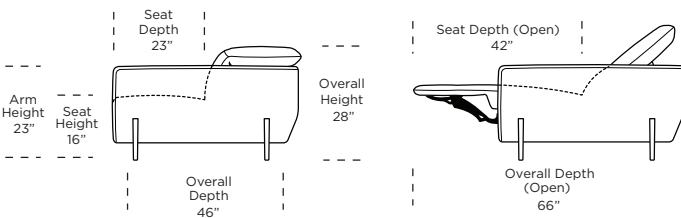
Please use actual leather, fabric, Crypton®, Sunbrella® and Ultrasuede® swatches when specifying furniture as the colors shown may vary due to the printing process.

**Note:** Microfiber fabrics such as SUEDELIFE and VEELIFE not suggested for this style. Please contact American Leather® Support Services for a complete list of recommended fabrics.



### MOTION LEGEND:

- (M) = Motion only
- (NM) = No motion available



Safe low voltage electrical components are UL listed.

Scale : 1/8 inch = 1 foot  
All dimensions are approximate and subject to change.  
Specify all components from the sitting position.

V.06.15.21

# STYLE IN MOTION® I-SERIES

---

## VERONA



**AMERICAN**  
LEATHER®

# Style in Motion by American Leather® I-Series

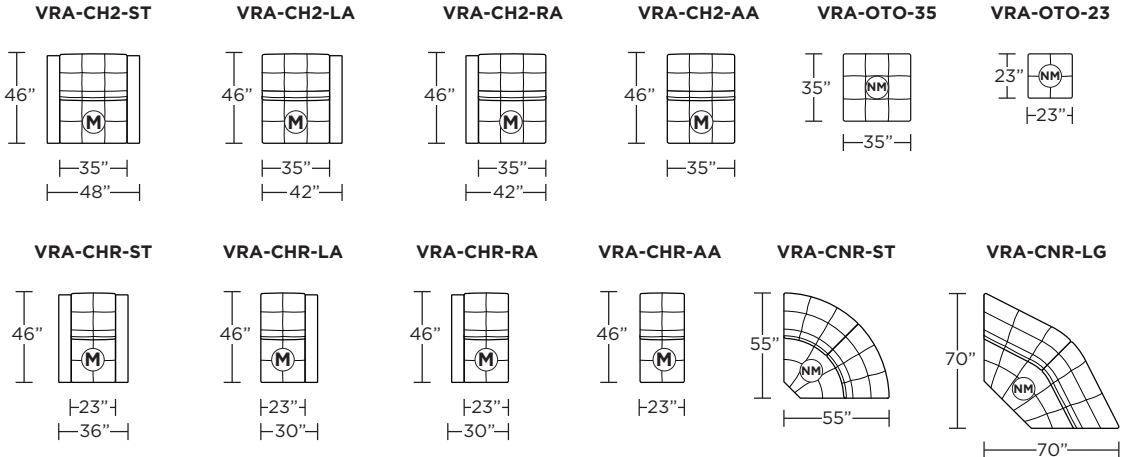
## VERONA

### Standard Features:

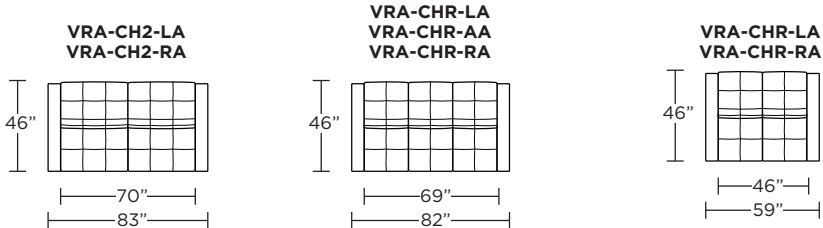
- Premium high-density, high-resiliency foam seat cushions
- Advanced unidirectional suspension system
- Double-needle quilting combined with single-needle top-stitch with thick thread
- In-arm control panel is easy to use and includes a 2-amp USB charging port
- Lifetime warranty on frame and suspension
- Five-year warranty on mechanism
- Three-year warranty on motor
- Quick-ship delivery

### Options:

- Contrasting stitch detail available in Black, Brown, Charcoal, Cream, Espresso, Grey, Lemon, Pink, Royal, Scarlet, Tangerine, or Teal thread color
- 2-amp hour lithium-ion battery pack available
- Easy disassembly for delivery
- Metal legs available in Antique Brass, Burnished Bronze, or Polished Nickel

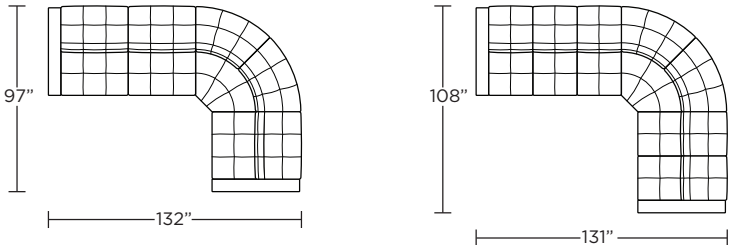
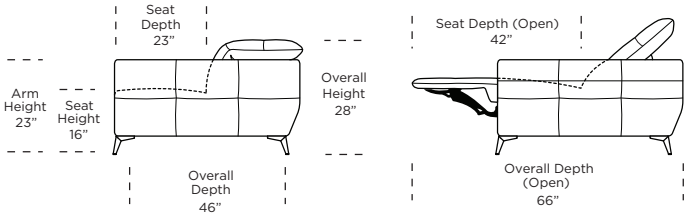
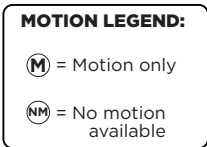


### Suggested Configurations



Please use actual leather, fabric, Crypton®, Sunbrella® and Ultrasuede® swatches when specifying furniture as the colors shown may vary due to the printing process.

**Note:** Microfiber fabrics such as SUEDELIFE and VEELIFE not suggested for this style. Please contact American Leather® Support Services for a complete list of recommended fabrics.



V.06.15.21

Safe low voltage electrical components are UL listed.

Scale : 1/8 inch = 1 foot  
All dimensions are approximate and subject to change.  
Specify all components from the sitting position.