

ELEMENTS

These frames offer uncompromised style at an opening price point in grade 1 fabrics. Comprised of 6 frames, the Elements Collection offers unique customizations from top to bottom.

FEATURES & OPTIONS

- Six unique arm styles
- High-leg or low-leg option available without changing seat depth or seat height
- Back and seat cushion decorative detail options: Plain, Tufted, or Knife-Edge
- Loose back and seat cushions; available in foam or down seat and back construction (uncharge per seat for down)
- 2" Higher back option available - no additional cost

CUSHION DETAIL OPTIONS



PLAIN



TUFTED



KNIFE-EDGE

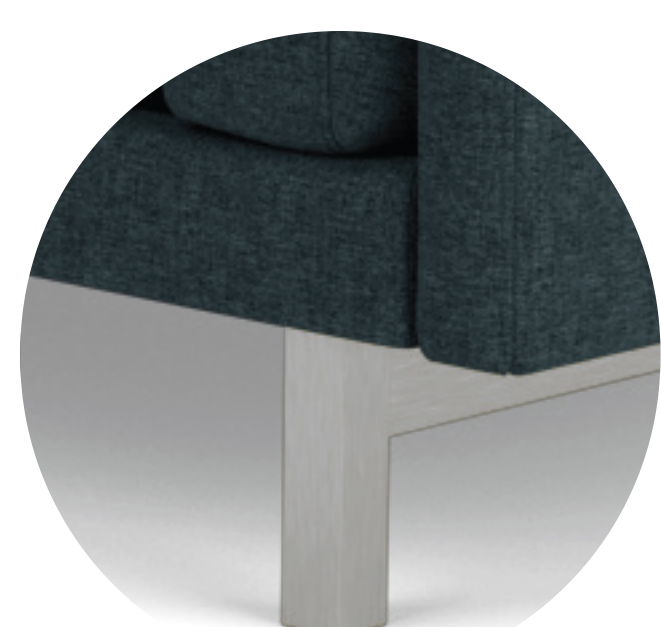
MULTIPLE LEG FINISHES

HIGH LEG ONLY

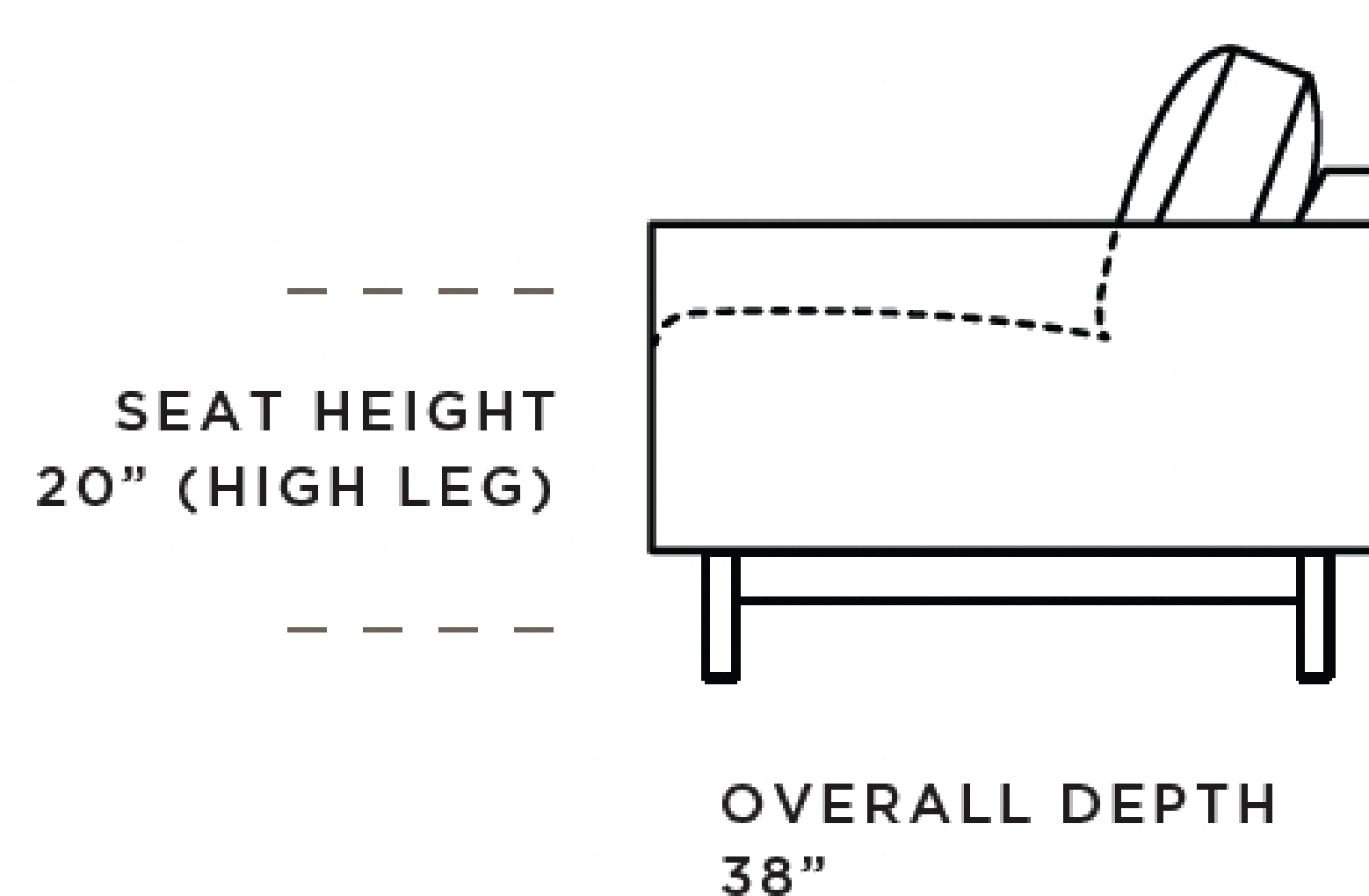
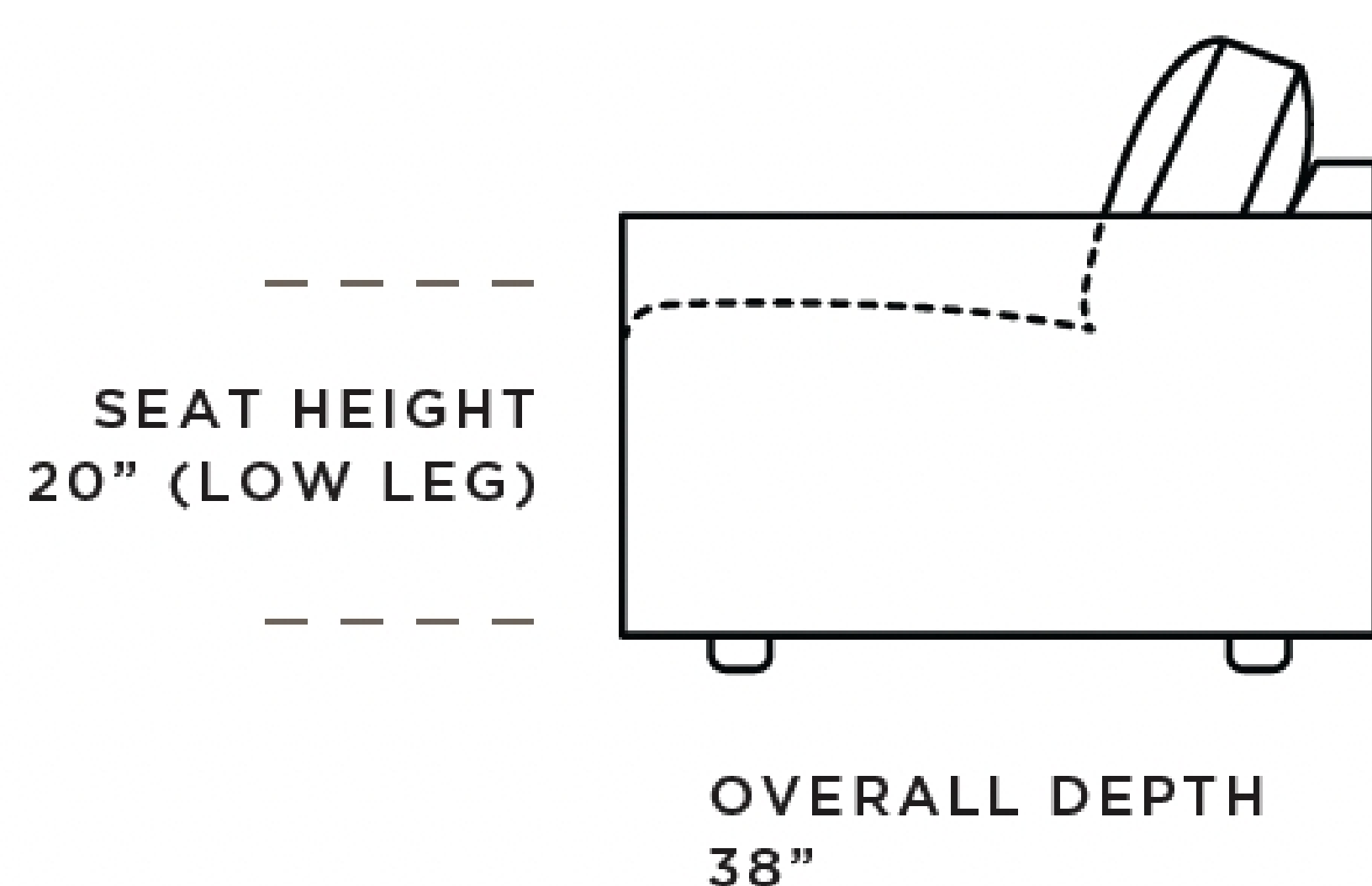
WOOD



METAL



LEG HEIGHT



MEET THE STYLES



CARMET



COOKS



DORAN



MONTARA



ESTERO

Low-Leg Style Not Shown



LAWSON

Kyli Bingham · Brand Ambassador